

UG35 Hardware Design

UMTS/HSPA Module Series

Rev. UG35_Hardware_Design_V1.0

Date: 2014-05-20



Our aim is to provide customers with timely and comprehensive service. For any assistance, please contact our company headquarters:

Quectel Wireless Solutions Co., Ltd.

Office 501, Building 13, No.99, Tianzhou Road, Shanghai, China, 200233

Tel: +86 21 5108 6236

Mail: info@quectel.com

Or our local office, for more information, please visit:

<http://www.quectel.com/support/salesupport.aspx>

For technical support, to report documentation errors, please visit:

<http://www.quectel.com/support/techsupport.aspx>

GENERAL NOTES

QUECTEL OFFERS THIS INFORMATION AS A SERVICE TO ITS CUSTOMERS. THE INFORMATION PROVIDED IS BASED UPON CUSTOMERS' REQUIREMENTS. QUECTEL MAKES EVERY EFFORT TO ENSURE THE QUALITY OF THE INFORMATION IT MAKES AVAILABLE. QUECTEL DOES NOT MAKE ANY WARRANTY AS TO THE INFORMATION CONTAINED HEREIN, AND DOES NOT ACCEPT ANY LIABILITY FOR ANY INJURY, LOSS OR DAMAGE OF ANY KIND INCURRED BY USE OF OR RELIANCE UPON THE INFORMATION. THE INFORMATION SUPPLIED HEREIN IS SUBJECT TO CHANGE WITHOUT PRIOR NOTICE.

COPYRIGHT

THIS INFORMATION CONTAINED HERE IS PROPRIETARY TECHNICAL INFORMATION OF QUECTEL CO., LTD. TRANSMITTABLE, REPRODUCTION, DISSEMINATION AND EDITING OF THIS DOCUMENT AS WELL AS UTILIZATION OF THIS CONTENTS ARE FORBIDDEN WITHOUT PERMISSION. OFFENDERS WILL BE HELD LIABLE FOR PAYMENT OF DAMAGES. ALL RIGHTS ARE RESERVED IN THE EVENT OF A PATENT GRANT OR REGISTRATION OF A UTILITY MODEL OR DESIGN.

Copyright © Quectel Wireless Solutions Co., Ltd. 2014. All rights reserved.

About the Document

History

Revision	Date	Author	Description
1.0	2014-05-20	Yeoman CHEN	Initial

Contents

About the document	2
Contents	3
Table Index	5
Figure Index	6
1 Introduction	7
1.1. Safety Information	8
2 Product Concept	9
2.1. General Description	9
2.2. Key Features	10
2.3. Functional Diagram	12
2.4. Evaluation Board	13
3 Application Interface	14
3.1. General Description	14
3.2. Pin Assignment	15
3.3. Pin Description	16
3.4. Operating Modes	21
3.5. Power Saving	22
3.5.1. Sleep Mode	22
3.5.1.1. UART Application	22
3.5.1.2. USB Application with Suspend Function	23
3.5.1.3. USB Application without Suspend Function	23
3.5.2. Minimum Functionality Mode	24
3.6. Power Supply	25
3.6.1. Power Supply Pins	25
3.6.2. Decrease Voltage Drop	25
3.6.3. Monitor the Power Supply	26
3.7. Turn on and off Scenarios	26
3.7.1. Turn on Module	26
3.7.2. Turn off Module	28
3.7.2.1. Turn off Module Using the PWRDWN_N Pin	28
3.7.2.2. Turn off Module Using AT Command	30
3.7.2.3. Automatic Shutdown	30
3.8. Reset the Module	31
3.9. RTC Interface	33
3.10. UART Interface	33
3.11. USIM Card Interface	36
3.11.1. USIM Card Application	36
3.11.2. Design Considerations for USIM Card Holder	38
3.12. USB Interface	40
3.13. PCM and I2C Interface	41

3.14.	Network Status Indication	44
3.15.	Operating Status Indication	45
4	Antenna Interface.....	46
4.1.	GSM/UMTS Antenna Interface	46
4.1.1.	Pin Definition	46
4.1.2.	Operating Frequency	46
4.1.3.	Reference Design	47
4.2.	Antenna Installation	47
4.2.1.	Antenna Requirement	47
4.2.2.	Install the Antenna with RF Connector	48
5	Electrical, Reliability and Radio Characteristics	50
5.1.	Absolute Maximum Ratings.....	50
5.2.	Power Supply Ratings	50
5.3.	Operating Temperature.....	51
5.4.	Current Consumption	51
5.5.	RF Output Power	53
5.6.	RF Receiving Sensitivity	53
5.7.	Electrostatic Discharge.....	54
6	Mechanical Dimensions	55
6.1.	Mechanical Dimensions of the Module.....	55
6.2.	Footprint of Recommendation	57
6.3.	Top View of the Module	58
6.4.	Bottom View of the Module.....	58
7	Storage and Manufacturing	59
7.1.	Storage.....	59
7.2.	Manufacturing and Welding.....	59
7.3.	Packaging	60
8	Appendix A Reference.....	61
9	Appendix B GPRS Coding Scheme	65
10	Appendix C GPRS Multi-slot Class.....	66
11	Appendix D EDGE Modulation and Coding Scheme	67

Table Index

TABLE 1: UG35 SERIES FREQUENCY BANDS.....	9
TABLE 2: UG35 KEY FEATURES	10
TABLE 3: IO PARAMETERS DEFINITION.....	16
TABLE 4: PIN DESCRIPTION	16
TABLE 5: OVERVIEW OF OPERATING MODES.....	21
TABLE 6: VBAT AND GND PINS.....	25
TABLE 7: PWRKEY PIN DESCRIPTION	26
TABLE 8: PWRDWN_N PIN DESCRIPTION	29
TABLE 9: RESET_N PIN DESCRIPTION	31
TABLE 10: PIN DEFINITION OF THE MAIN UART INTERFACE.....	34
TABLE 11: LOGIC LEVELS OF DIGITAL I/O	34
TABLE 12: PIN DEFINITION OF THE USIM INTERFACE	36
TABLE 13: PIN DESCRIPTION OF MOLEX USIM CARD HOLDER.....	39
TABLE 14: PIN DESCRIPTION OF AMPHENOL USIM CARD HOLDER	40
TABLE 15: USB PIN DESCRIPTION	40
TABLE 16: PIN DEFINITION OF PCM AND I2C INTERFACE.....	43
TABLE 17: PIN DEFINITION OF NETWORK INDICATOR.....	44
TABLE 18: WORKING STATE OF THE NETWORK INDICATOR.....	44
TABLE 19: PIN DEFINITION OF STATUS	45
TABLE 20: PIN DEFINITION OF THE RF ANTENNA.....	46
TABLE 21: THE MODULE OPERATING FREQUENCIES.....	46
TABLE 22: ANTENNA REQUIREMENTS.....	47
TABLE 23: ABSOLUTE MAXIMUM RATINGS	50
TABLE 24: THE MODULE POWER SUPPLY RATINGS	50
TABLE 25: OPERATING TEMPERATURE.....	51
TABLE 26: THE MODULE CURRENT CONSUMPTION	51
TABLE 27: CONDUCTED RF OUTPUT POWER	53
TABLE 28: CONDUCTED RF RECEIVING SENSITIVITY.....	53
TABLE 29: ELECTROSTATICS DISCHARGE CHARACTERISTICS	54
TABLE 30: RELATED DOCUMENTS.....	61
TABLE 31: TERMS AND ABBREVIATIONS.....	61
TABLE 32: DESCRIPTION OF DIFFERENT CODING SCHEMES	65
TABLE 33: GPRS MULTI-SLOT CLASSES	66
TABLE 34: EDGE MODULATION AND CODING SCHEME	67

Figure Index

FIGURE 1: FUNCTIONAL DIAGRAM	13
FIGURE 2: PIN ASSIGNMENT (TOP VIEW)	15
FIGURE 3: UART SLEEP APPLICATION	22
FIGURE 4: USB APPLICATION WITH SUSPEND FUNCTION.....	23
FIGURE 5: USB SLEEP APPLICATION WITHOUT SUSPEND FUNCTION.....	24
FIGURE 6: STAR STRUCTURE OF THE POWER SUPPLY.....	26
FIGURE 7: TURN ON THE MODULE USING DRIVING CIRCUIT	27
FIGURE 8: TURN ON THE MODULE USING KEYSTROKE	27
FIGURE 9: TIMING OF TURNING ON MODULE	28
FIGURE 10: TURN OFF THE MODULE USING DRIVING CIRCUIT	29
FIGURE 11: TURN OFF THE MODULE USING KEYSTROKE.....	29
FIGURE 12: TIMING OF TURNING OFF MODULE	30
FIGURE 13: REFERENCE CIRCUIT OF RESET_N BY USING DRIVING CIRCUIT	32
FIGURE 14: REFERENCE CIRCUIT OF RESET_N BY USING BUTTON	32
FIGURE 15: TIMING OF RESETTING MODULE	32
FIGURE 16: RTC SUPPLY FROM CAPACITOR	33
FIGURE 17: REFERENCE CIRCUIT OF LOGIC LEVEL TRANSLATOR.....	35
FIGURE 18: RS232 LEVEL MATCH CIRCUIT.....	35
FIGURE 19: REFERENCE CIRCUIT OF THE 8 PIN USIM CARD.....	37
FIGURE 20: REFERENCE CIRCUIT OF THE 6 PIN USIM CARD.....	37
FIGURE 21: MOLEX 91228 USIM CARD HOLDER	38
FIGURE 22: AMPHENOL C707 10M006 512 2 USIM CARD HOLDER	39
FIGURE 23: REFERENCE CIRCUIT OF USB APPLICATION	41
FIGURE 24: PCM MASTER MODE TIMING.....	42
FIGURE 25: PCM SLAVE MODE TIMING	42
FIGURE 26: REFERENCE CIRCUIT OF PCM APPLICATION WITH AUDIO CODEC	43
FIGURE 27: REFERENCE CIRCUIT OF THE NETLIGHT	44
FIGURE 28: REFERENCE CIRCUIT OF THE STATUS	45
FIGURE 29: REFERENCE CIRCUIT OF ANTENNA INTERFACE	47
FIGURE 30: DIMENSIONS OF THE UF.L-R-SMT CONNECTOR (UNIT: MM)	48
FIGURE 31: MECHANICALS OF UF.L-LP CONNECTORS (UNIT: MM).....	48
FIGURE 32: SPACE FACTOR OF MATED CONNECTOR (UNIT: MM)	49
FIGURE 33: UG35 TOP AND SIDE DIMENSIONS.....	55
FIGURE 34: UG35 BOTTOM DIMENSIONS (TOP VIEW)	56
FIGURE 35: RECOMMENDED FOOTPRINT (TOP VIEW)	57
FIGURE 36: TOP VIEW OF THE MODULE	58
FIGURE 37: BOTTOM VIEW OF THE MODULE	58
FIGURE 38: REFLOW SOLDERING PROFILE.....	60

1 Introduction

This document defines the UG35 module and describes its hardware interface which are connected with your application and the air interface.

This document can help you quickly understand module interface specifications, electrical and mechanical details. Associated with application notes and user guide, you can use UG35 module to design and set up mobile applications easily.

1.1. Safety Information

The following safety precautions must be observed during all phases of the operation, such as usage, service or repair of any cellular terminal or mobile incorporating UG35 module. Manufacturers of the cellular terminal should send the following safety information to users and operating personnel and to incorporate these guidelines into all manuals supplied with the product. If not so, Quectel does not take on any liability for customer failure to comply with these precautions.



Full attention must be given to driving at all times in order to reduce the risk of an accident. Using a mobile while driving (even with a handsfree kit) cause distraction and can lead to an accident. You must comply with laws and regulations restricting the use of wireless devices while driving.



Switch off the cellular terminal or mobile before boarding an aircraft. Make sure it switched off. The operation of wireless appliances in an aircraft is forbidden to prevent interference with communication systems. Consult the airline staff about the use of wireless devices on boarding the aircraft, if your device offers a Airplane Mode which must be enabled prior to boarding an aircraft.



Switch off your wireless device when in hospitals or clinics or other health care facilities. These requests are desinged to prevent possible interference with sentitive medical equipment.



GSM cellular terminals or mobiles operate over radio frequency signal and cellular network and cannot be guaranteed to connect in all conditions, for example no mobile fee or an invalid SIM card. While you are in this condition and need emergent help, please remember using emergency call. In order to make or receive call, the cellular terminal or mobile must be switched on and in a service area with adequate cellular signal strength.



Your cellular terminal or mobile contains a transmitter and receiver. When it is ON , it receives and transmits radio frequency energy. RF interference can occur if it is used close to TV set, radio, computer or other electric equipment.



In locations with potentially explosive atmospheres, obey all posted signs to turn off wireless devices such as your phone or other cellular terminals. Areas with potentially exposable atmospheres including fuelling areas, below decks on boats, fuel or chemical transfer or storage facilities, areas where the air contains chemicals or particles such as grain, dust or metal powders.

2 Product Concept

2.1. General Description

UG35 is embedded 3G wireless communication module, which supports GSM/GPRS/EDGE and UTM/HSDPA/HSUPA networks. It can also provide voice functionality for customers' specific application. UG35 offers a maximum data rate of 7.2Mbps on downlink and 5.76Mbps on uplink in HSPA mode. GPRS supports the coding schemes CS-1, CS-2, CS-3 and CS-4. EDGE supports CS1-4 and MCS1-9 coding schemes. The following table shows the entire radio band configuration of UG35.

Table 1: UG35 Series Frequency Bands

Module	GSM 850	EGSM 900	DCS 1800	PCS 1900	UMTS 850	UMTS 900	UMTS 1900	UMTS 2100
UG35-E		✓	✓			✓		✓

More details about GPRS/EDGE multi-slot configuration and coding schemes, please refer to Appendix B, C and D.

With a tiny profile of 23.6mm × 19.9mm × 2.2mm, UG35 can meet almost all requirements for M2M application such as automotive, metering, tracking system, security solutions, routers, wireless POS, mobile computing devices, PDA phone and tablet PC, etc..

UG35 is an SMD type module, which can be embedded in customer application through its 102 LGA pads.

UG35 is integrated with internet service protocols like TCP/UDP and PPP. Extended AT commands have been developed for customer to use these internet service protocols easily.

2.2. Key Features

The following table describes the detailed features of UG35 module.

Table 2: UG35 Key Features

Feature	Details
Power Supply	Supply voltage: 3.3V~4.3V. Typical supply voltage: 3.8V.
Frequency Bands	UG35-E: GSM Dual-band: 900/1800MHz. UMTS Dual-band: 900/2100MHz.
Transmission Data	HSPA R6: Max 7.2Mbps (DL)/Max 5.76Mbps (UL). UMTS R4: Max 384kbps (DL)/Max 384kbps (UL). EDGE: Max 296kbps (DL only). GPRS: Max 67kbps (DL)/Max 53.6kbps (UL). CSD: 14.4kbps.
Transmitting Power	Class 4 (33dBm±2dB) for EGSM900. Class 1 (30dBm±2dB) for DCS1800. Class E2 (33dBm±2dB) for EGSM900 GMSK. Class E2 (30dBm±2dB) for DCS1800 GMSK. Class 3 (24dBm+1/-3.5dB) for UMTS 900/2100.
HSPA/UMTS Features	HSPA data rate is corresponded with 3GPP release 6 7.2Mbps on downlink and 5.76Mbps on uplink. WCDMA data rate is corresponded with 3GPP R4. 384kbps on downlink and 384kbps on uplink. Support both QPSK and 16-QAM modulations.
GSM/GPRS/EDGE Data Features	GPRS: Support GPRS multi-slot class 12. Coding scheme: CS-1, CS-2, CS-3 and CS-4. Maximum of four Rx time slots per frame. EDGE: Support EDGE multi-slot class 12. Support GMSK and 8-PSK for different MCS (Modulation and Coding scheme). Coding scheme: MCS 1-9. Only support received. CSD: CSD transmission rates: 14.4 kbps non-transparent. Support Unstructured Supplementary Services Data (USSD).
Internet Protocol Features	Support TCP/PPP/UDP protocols. Support the protocols PAP (Password Authentication Protocol) and

	CHAP (Challenge Handshake Authentication Protocol) usually used for PPP connections.
SMS	Text and PDU mode. Point to point MO and MT. SMS cell broadcast. SMS storage: ME by default.
USIM Interface	Support USIM card: 1.8V, 3.0V. Support USIM and SIM.
PCM Interface	Used for audio function with external codec. Supports 16, 32, 48 and 64 bit mode with short frame synchronization. Supports both burst mode and continuous transmission. Support master and slave mode.
UART Interface	Support main UART interface. <ul style="list-style-type: none"> ● 7-wire on main UART interface, without DSR. ● Support RTS and CTS hardware flow control*. ● Baud rate can reach up to 6000000 bps, 115200 bps by default. ● Used for AT command, data transmission or firmware upgrade. ● Multiplexing function.
USB Interface	Compliant with USB 2.0 specification (slave only), the data transfer rate can reach up to 480 Mbps. Used for AT command communication, data transmission, software debug and firmware upgrade. USB Driver: Support Windows XP, Windows Vista, Windows 7, Windows 8, Windows CE5.0/6.0*, Linux 2.6/3.0, Android 2.3/4.0/4.2.
AT Commands	Compliant with 3GPP TS 27.007, 27.005 and Quectel enhanced AT commands.
Real Time Clock	Implemented.
Network Indication	One pin NETLIGHT to indicate network connectivity status.
Antenna Interface	Main GSM/UMTS antenna, 50Ω.
Physical Characteristics	Size: 19.9±0.15 × 23.6±0.15 × 2.2±0.2 mm. Interface: LGA Weight: 2.5g
Temperature Range	Normal operation: -30°C ~ +65°C. Restricted operation: -40°C ~ -35°C and +70°C ~ +80°C ¹⁾ . Storage temperature: -45°C ~ +90°C.
Firmware Upgrade	USB interface or main UART interface.
RoHS	All hardware components are fully compliant with EU RoHS directive.

NOTES

1. ¹⁾ means when the module works within this temperature range, RF performance might degrade. For example, the frequency error or the phase error would increase.
2. * means this feature is under development.

2.3. Functional Diagram

The following figure shows a block diagram of UG35 and illustrates the major functional parts.

- RF transceiver
- Baseband
- DDR+NAND flash
- Radio frequency
- Peripheral interface
 - UART interface
 - USIM card interface
 - USB interface
 - PCM interface
 - I2C interface
 - Status indication
 - Control interface

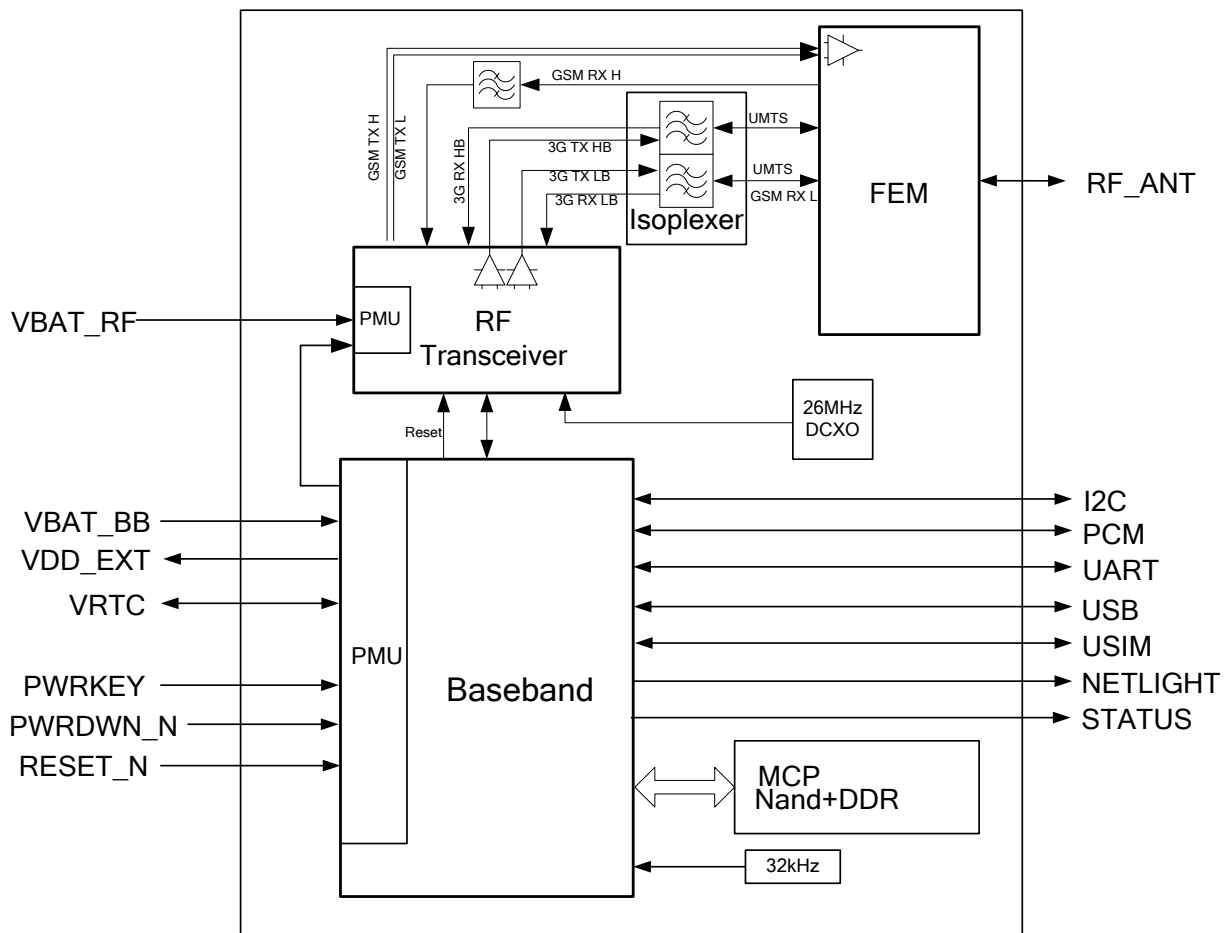


Figure 1: Functional Diagram

2.4. Evaluation Board

In order to help you to develop applications with UG35, Quectel supplies an evaluation board (UC20-EVB), RS-232 to USB cable, USB data cable, power adapter, earphone, antenna and other peripherals to control or test the module. For details, please refer to **document [2]**.

3 Application Interface

3.1. General Description

UG35 is equipped with a 62-pin 1.1mm pitch SMT pads plus 40-pin ground pads and reserved pads that connect to customer's cellular application platform. Sub-interfaces included in these pads are described in detail in the following chapters:

- Power supply
- RTC interface
- UART interface
- USIM interface
- USB interface
- PCM interface
- Status indication

3.2. Pin Assignment

The following figure shows the pin assignment of the UG35 module.

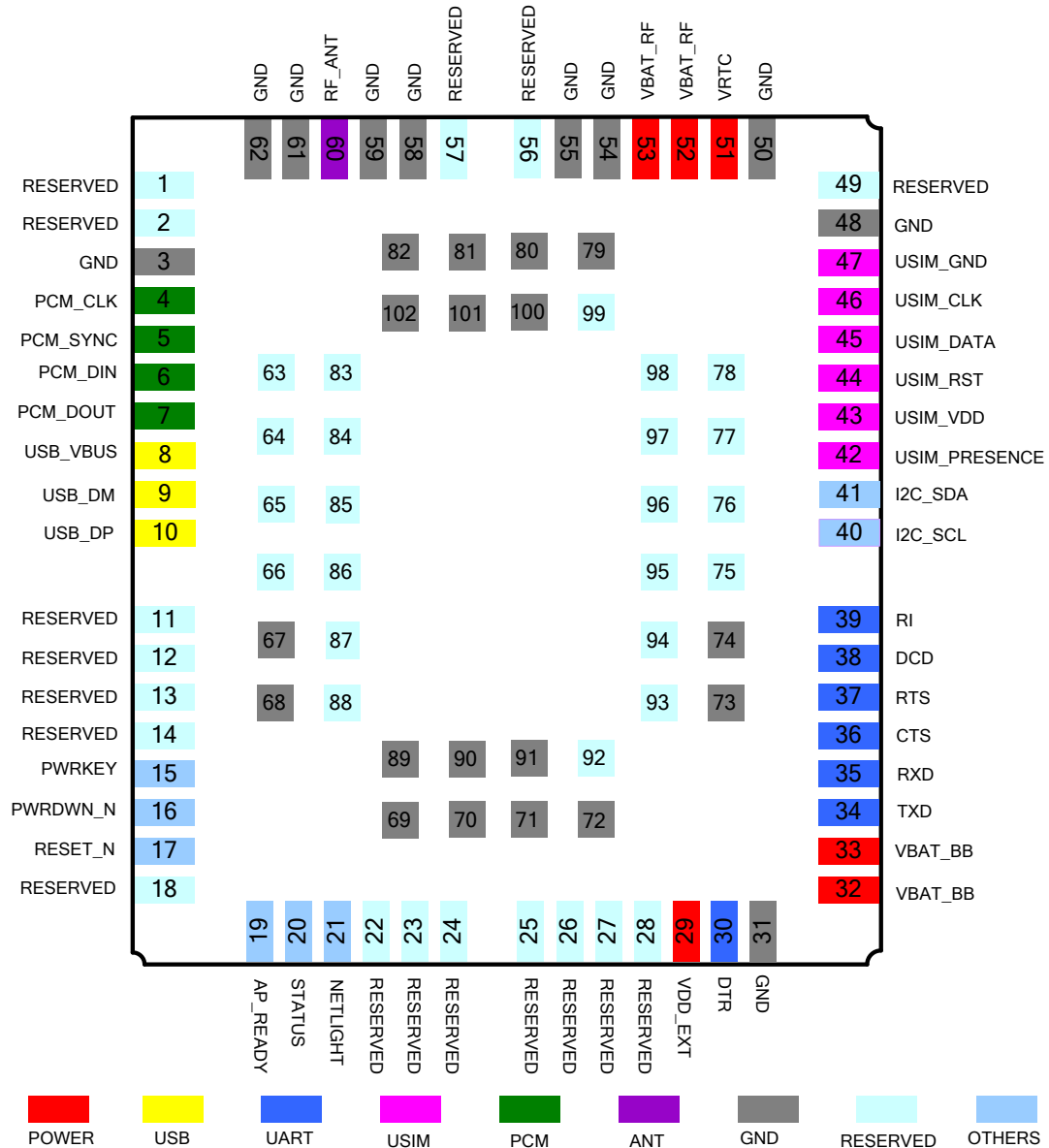


Figure 2: Pin Assignment (Top View)

NOTES

1. Keep all RESERVED pins and unused pins unconnected.
2. GND pads should be connected to ground in the design.

3.3. Pin Description

The following tables show the UG35's pin definition.

Table 3: IO Parameters Definition

Type	Description
IO	Bidirectional input/output
DI	Digital input
DO	Digital output
PI	Power input
PO	Power output
AI	Analog input
AO	Analog output
OD	Open drain

Table 4: Pin Description

Power Supply					
Pin Name	Pin No.	I/O	Description	DC Characteristics	Comment
VBAT_BB	32,33	PI	Power supply for module baseband part.	Vmax=4.3V Vmin=3.3V Vnorm=3.8V	It must be able to provide sufficient current up to 0.8A.
VBAT_RF	52,53	PI	Power supply for module RF part.	Vmax=4.3V Vmin=3.3V Vnorm=3.8V	It must be able to provide sufficient current in a transmitting burst which typically rises to 2.0A.
VRTC	51	PI/ PO	Power supply for internal RTC circuit.	V _O max=1.9V when VBAT ≥3.4V. V _I =0.5V~V1.9 at I _{IN} max=0.4mA when VBAT is not applied.	

VDD_EXT	29	PO	Provide 1.8V for external circuit.	Vnorm=1.8V I _O max=20mA	Power supply for external GPIO's pull up circuits.
GND	3,31, 48,50, 54,55, 58,59, 61,62, 67~74, 79~82, 89~91, 100~102		Ground.		

Turn On/Off

Pin Name	Pin No.	I/O	Description	DC Characteristics	Comment
PWRKEY	15	DI	Turn on the module.	R _{PU} ≈200kΩ V _{IH} max=2.1V V _{IH} min=1.3V V _{IL} max=0.5V	Pull-up to 1.8V internally.
PWRDWN_N	16	DI	Turn off the module.	R _{PU} ≈4.7kΩ V _{IH} max=2.1V V _{IH} min=1.3V V _{IL} max=0.5V	Pull-up to 1.8V internally.
RESET_N	17	DI	Reset the module.	R _{PU} ≈200kΩ V _{IH} max=2.1V V _{IH} min=1.3V V _{IL} max=0.5V	Pull-up to 1.8V internally. Active low.

Status Indication

Pin Name	Pin No.	I/O	Description	DC Characteristics	Comment
STATUS	20	DO	Indicate the module operating status.	V _{OH} min=1.3V V _{OL} max=0.5V	1.8V power domain.
NETLIGHT	21	DO	Indicate the module network status.	V _{OH} min=1.3V V _{OL} max=0.5V	1.8V power domain. Push-Pull

USB Interface

Pin Name	Pin No.	I/O	Description	DC Characteristics	Comment
USB_VBUS	8	PI	USB detection.	Vmax=5.25V Vmin=2.5V Vnorm=5.0V	

USB_DP	10	IO	USB differential data bus.	Compliant with USB 2.0 standard specification.	Require differential impedance of 90Ω.
USB_DM	9	IO	USB differential data bus.	Compliant with USB 2.0 standard specification.	Require differential impedance of 90Ω.
USIM Interface					
Pin Name	Pin No.	I/O	Description	DC Characteristics	Comment
USIM_GND	47		Specified ground for USIM card.		
USIM_VDD	43	PO	Power supply for USIM card.	For 1.8V USIM: V _{max} =1.85V V _{min} =1.75V For 3.0V USIM: V _{max} =2.9V V _{min} =2.8V I _{Omax} =30mA	Either 1.8V or 3V is supported by the module automatically.
USIM_DATA	45	IO	Data signal of USIM card.	For 1.8V USIM: V _{ILmax} =0.35V V _{IHmin} =1.25V V _{OLmax} =0.25V V _{OHmin} =1.5V For 3V USIM: V _{ILmax} =0.5V V _{IHmin} =2.05V V _{OLmax} =0.25V V _{OHmin} =2.5V	Pull-up to USIM_VDD with 4.7k resistor internally.
USIM_CLK	46	DO	Clock signal of USIM card.	For 1.8V USIM: V _{OLmax} =0.25V V _{OHmin} =1.25V For 3V USIM: V _{OLmax} =0.25V V _{OHmin} =2.4V	

USIM_RST	44	DO	Reset signal of USIM card.	For 1.8V USIM: $V_{OLmax}=0.25V$ $V_{OHmin}=1.45V$ For 3V USIM: $V_{OLmax}=0.3V$ $V_{OHmin}=2.45V$	
USIM_PRESENCE	42	DI	USIM card input detection.	$V_{ILmax}=0.35V$ $V_{IHmin}=1.3V$ $V_{IHmax}=1.85V$	1.8V power domain. Pulled up by default. Active low.

Main UART Interface

Pin Name	Pin No.	I/O	Description	DC Characteristics	Comment
RI	39	DO	Ring indicator.	$V_{OLmax}=0.25V$ $V_{OHmin}=1.55V$	1.8V power domain.
DCD	38	DO	Data carrier detection.	$V_{OLmax}=0.25V$ $V_{OHmin}=1.55V$	1.8V power domain.
CTS	36	DO	Clear to send.	$V_{OLmax}=0.25V$ $V_{OHmin}=1.55V$	1.8V power domain.
RTS	37	DI	Request to send.	$V_{ILmax}=0.35V$ $V_{IHmin}=1.3V$ $V_{IHmax}=1.85V$	1.8V power domain.
DTR	30	DI	Data terminal ready.	$V_{ILmax}=0.35V$ $V_{IHmin}=1.3V$ $V_{IHmax}=1.85V$	1.8V power domain. Pull-up by default.
TXD	34	DO	Transmit data.	$V_{OLmax}=0.25V$ $V_{OHmin}=1.55V$	1.8V power domain.
RXD	35	DI	Receive data.	$V_{ILmax}=0.35V$ $V_{IHmin}=1.3V$ $V_{IHmax}=1.85V$	1.8V power domain.

RF Interface

Pin Name	Pin No.	I/O	Description	DC Characteristics	Comment
RF_ANT	60	IO	RF antenna.	50Ω impedance	

PCM Interface

Pin Name	Pin No.	I/O	Description	DC Characteristics	Comment
PCM_IN	6	DI	PCM data input.	$V_{ILmin}=-0.3V$ $V_{ILmax}=0.35V$ $V_{IHmin}=1.3V$ $V_{IHmax}=1.85V$	1.8V power domain.

PCM_OUT	7	DO	PCM data output.	$V_{OLmax}=0.25V$ $V_{OHmin}=1.55V$	1.8V power domain.
PCM_SYNC	5	IO	PCM data frame sync signal.	$V_{OLmax}=0.45V$ $V_{OHmin}=1.55V$ $V_{ILmin}=-0.3V$ $V_{ILmax}=0.35V$ $V_{IHmin}=1.3V$ $V_{IHmax}=1.85V$	1.8V power domain. In master mode, it is an output signal. In slave mode, it is an input signal.
PCM_CLK	4	IO	PCM data bit clock.	$V_{OLmax}=0.45V$ $V_{OHmin}=1.55V$ $V_{ILmin}=-0.3V$ $V_{ILmax}=0.35V$ $V_{IHmin}=1.3V$ $V_{IHmax}=1.85V$	1.8V power domain. In master mode, it's an output signal. In slave mode, it is an input signal.

I2C Interface

Pin Name	Pin No.	I/O	Description	DC Characteristics	Comment
I2C_SCL	40	DO	I2C serial clock.	$V_{OLmax}=0.45V$ $V_{OHmin}=1.55V$	Open drain. External pull-up resistor is required.
I2C_SDA	41	IO	I2C serial data.	$V_{OLmax}=0.45V$ $V_{OHmin}=1.55V$ $V_{ILmin}=-0.3V$ $V_{ILmax}=0.35V$ $V_{IHmin}=1.3V$ $V_{IHmax}=1.85V$	Open drain. External pull-up resistor is required.

RESERVED Pins

Pin Name	Pin No.	I/O	Description	DC Characteristics	Comment
AP_READY	19	DI	Application processor sleep state detection.	$V_{ILmin}=-0.3V$ $V_{ILmax}=0.35V$ $V_{IHmin}=1.3V$ $V_{IHmax}=1.85V$	1.8V power domain.
RESERVED	1,2, 11~14,18 22~28, 49,56,57, 63~66, 75~78, 83~88, 92~99.		Reserved		Keep these pins unconnected.

3.4. Operating Modes

The table below briefly summarizes the various operating modes referred to in the following chapters.

Table 5: Overview of Operating Modes

Mode	Details	
Normal Operation	GSM Idle	Software is active. The module has registered to the GSM network and is ready to send and receive data.
	GSM Talk/Data	GSM connection is ongoing. In this mode, the power consumption is decided by the configuration of power control level (PCL), dynamic DTX control and the working RF band.
	GPRS Idle	The module is ready for GPRS data transfer, but no data transfer is going on. In this case, power consumption depends on network setting and GPRS configuration.
	GPRS Data	There is GPRS data in transfer (PPP, TCP or UDP). In this mode, power consumption is decided by the PCL, working RF band and GPRS multi-slot configuration.
	EDGE Idle	The module is ready for data transfer in EDGE mode, but no data is currently received. In this case, power consumption depends on network settings and EDGE configuration.
	EDGE Data	There is EDGE data in transfer (PPP, TCP or UDP). In this mode, power consumption is decided by the PCL, working RF band and EDGE multi-slot configuration.
	UMTS Idle	Software is active. The module has registered to the UMTS network and the module is ready to send and receive data.
	UMTS Talk/Data	UMTS connection is ongoing. In this mode, the power consumption is decided by network setting (e.g. TPC pattern) and data transfer rate.
	HSPA Idle	Software is active. The module has registered to the HSPA network and the module is ready to send and receive data.
	HSPA Data	HSPA data transfer is ongoing. In this mode, the power consumption is decided by network setting (e.g. TPC pattern) and data transfer rate.
Minimum Functionality Mode	AT+CFUN command can set the module entering into a minimum functionality mode without removing the power supply. In this case, both RF function and USIM card will be invalid.	
Sleep Mode	In this mode, the current consumption of the module will be reduced to the minimal level. During this mode, the module can still receive paging message, SMS and voice call from the network normally.	

Power Down Mode	In this mode, the power management unit shuts down the power supply for the baseband part and RF part. Only the power supply for RTC remains. Software is not active. The serial interface is not accessible. Operating voltage (connected to VBAT_RF and VBAT_BB) remains applied.
Airplane Mode*	Airplane mode shuts down the radio part of the module, causes the module to log off from the GSM/GPRS network and disables all AT commands whose execution requires a radio connection. Airplane mode can be controlled by AT command, please refer to document [1] .

3.5. Power Saving

3.5.1. Sleep Mode

UG35 is able to reduce its current consumption to a minimum value during the sleep mode. The following section describes power saving procedure of UG35.

3.5.1.1. UART Application

If application processor communicates with module via UART interface, the following preconditions can let the module enter into the sleep mode.

- Execute AT command **AT+QSCLK=1** to enable the sleep mode.
- Drive DTR to high level.

The following figure shows the connection between the module and application processor.

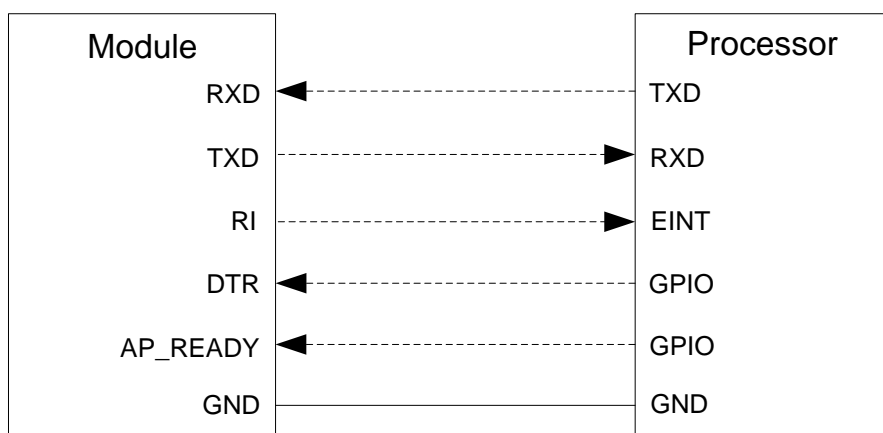


Figure 3: UART Sleep Application

The RI of module is used to wake up the processor, and AP_READY* will detect the sleep state of processor (can be configured to high level or low level detection). You should pay attention to the level match shown in dotted line between module and processor.

Drive DTR to low level will wake up the module.

NOTE

* means this feature is under development.

3.5.1.2. USB Application with Suspend Function

If application processor communicates with module via USB interface, and processor supports USB suspend function, following preconditions can let the module enter into the sleep mode.

- Execute AT command **AT+QSCLK=1** to enable the sleep mode.
- The processor’s USB bus which is connected with the module USB interface enters into suspended state*.

The following figure shows the connection between the module and processor.

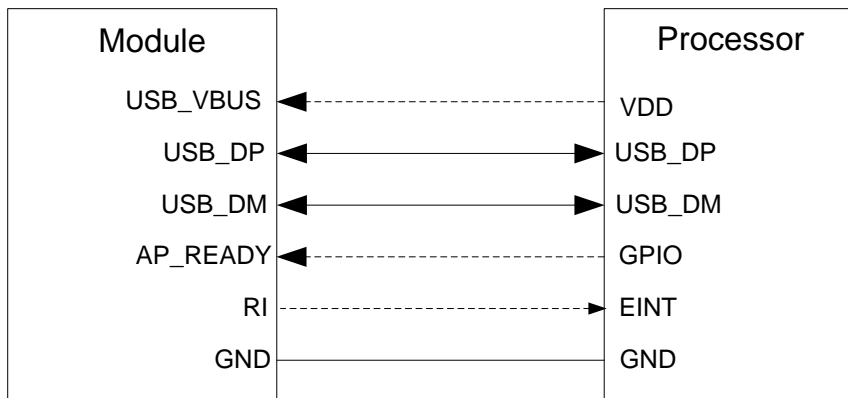


Figure 4: USB Application with Suspend Function

When the processor’s USB bus returns to resume state, the module will be woken up.

3.5.1.3. USB Application without Suspend Function

If application processor communicates with module via USB interface, and processor does not support

USB suspend function, you should disconnect USB_VBUS with additional control circuit to let the module enter into sleep mode.

- Execute AT command **AT+QSCLK=1** to enable the sleep mode.
- Disconnect USB_VBUS.

The following figure shows the connection between the module and application processor.

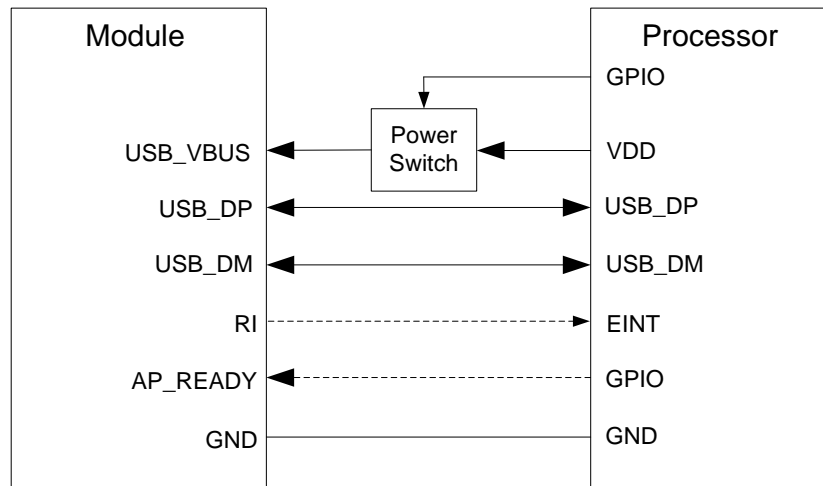


Figure 5: USB Sleep Application without Suspend Function

Supply power to USB_VBUS will wake up the module.

In sleep mode, the module can still receive paging message, SMS, voice call and TCP/UDP data from the network normally, but the UART port is not accessible.

3.5.2. Minimum Functionality Mode

Minimum functionality mode reduces the functionality of the module to minimum level, thus minimizes the current consumption at the same time. This mode can be set as below:

Command **AT+CFUN** provides the choice of the functionality levels: <fun>=0, 1, 4.

- **AT+CFUN=0**: Minimum functionality, RF part and USIM card will be closed.
- **AT+CFUN=1**: Full functionality (by default).
- **AT+CFUN=4**: Disable RF function (airplane mode). All AT commands related to RF function are not accessible.

For detailed information about command **AT+CFUN**, please refer to *document [1]*.

3.6. Power Supply

3.6.1. Power Supply Pins

UG35 provides four VBAT pins dedicated to connect with the external power supply. There are two separate voltage domains for VBAT.

- VBAT_RF with two pads for module RF.
- VBAT_BB with two pads for module baseband.

The following table shows the VBAT pins and ground pins.

Table 6: VBAT and GND Pins

Pin Name	Pin No.	Description	Min.	Typ.	Max.	Unit
VBAT_RF	52,53	Power supply for module RF part.	3.3	3.8	4.3	V
VBAT_BB	32,33	Power supply for module baseband part.	3.3	3.8	4.3	V
GND	3,31,48,50 54,55,58, 59,61,62, 67~74, 79~82, 89~91, 100~102	Ground.	-	-	-	-

3.6.2. Decrease Voltage Drop

The power supply range of the module is 3.3V~ 4.3V. Because of the voltage drop during the transmitting time, a bypass capacitor of about 100 μ F with low ESR should be used. Multi-layer ceramic chip (MLCC) capacitor can provide the best combination of low ESR. Three ceramic capacitors (100nF, 33pF, 10pF) are recommended to be applied to the VBAT pins. The capacitors should be placed close to the UG35's VBAT pins. The following figure shows star structure of the power supply.

The main power supply from an external application has to be a single voltage source and has to be expanded to two sub paths with star structure. In addition, in order to get a stable power source, it is suggested to use a zener diode of whose reverse zener voltage is 5.1V and dissipation power is more than 0.5W.

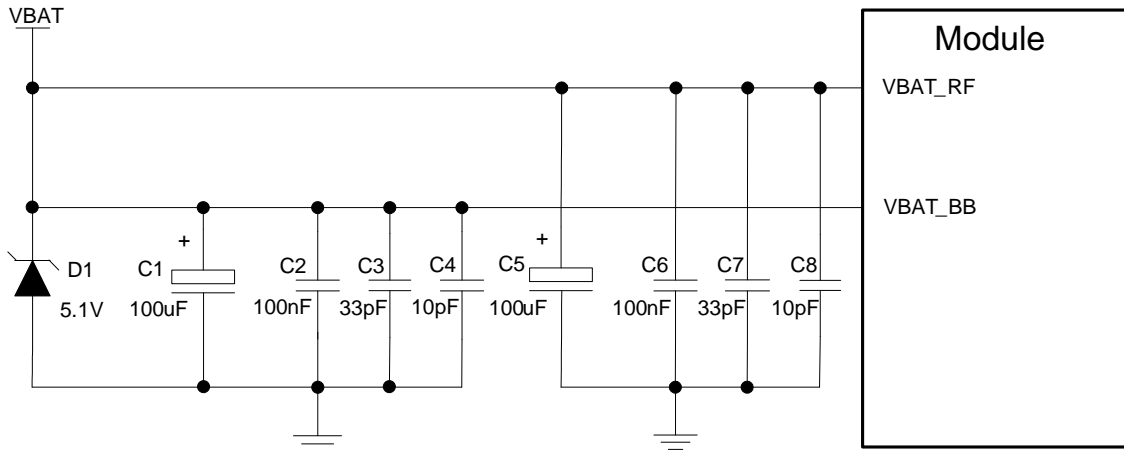


Figure 6: Star Structure of the Power Supply

Please pay special attention to the power supply design for applications. Make sure the input voltage will never drop below 3.3V. If the voltage drops below 3.3V, the module will turn off automatically. The PCB traces from the VBAT pins to the power source must be wide enough to ensure that there isn't too much voltage drop occurs in the transmitting procedure. The width of VBAT_BB trace should be no less than 1mm, and the width of VBAT_RF trace should be no less than 2mm, and the principle of the VBAT trace is the longer, the wider.

3.6.3. Monitor the Power Supply

You can use the **AT+CBC** command to monitor the VBAT_BB voltage value. For more details, please refer to [document \[1\]](#).

3.7. Turn on and off Scenarios

3.7.1. Turn on Module

Turn on the module using the PWRKEY. The following table shows the pin definition of PWRKEY.

Table 7: PWRKEY Pin Description

Pin Name	Pin No.	Description	DC Characteristics	Comment
PWRKEY	15	Turn on the module.	$V_{IHmax}=2.1V$ $V_{IHmin}=1.3V$ $V_{ILmax}=0.5V$	Pull-up to 1.8V internally with 200kΩ resistor.

When UG35 is in power down mode, it can be turned on to normal mode by driving the PWRKEY pin to a low level at least 100ms. It is recommended to use an open drain/collector driver to control the PWRKEY. You can monitor the level of the STATUS pin to judge whether the module is turned on or not. After STATUS pin outputting a high level, PWRKEY pin can be released. A simple reference circuit is illustrated in the following figure.

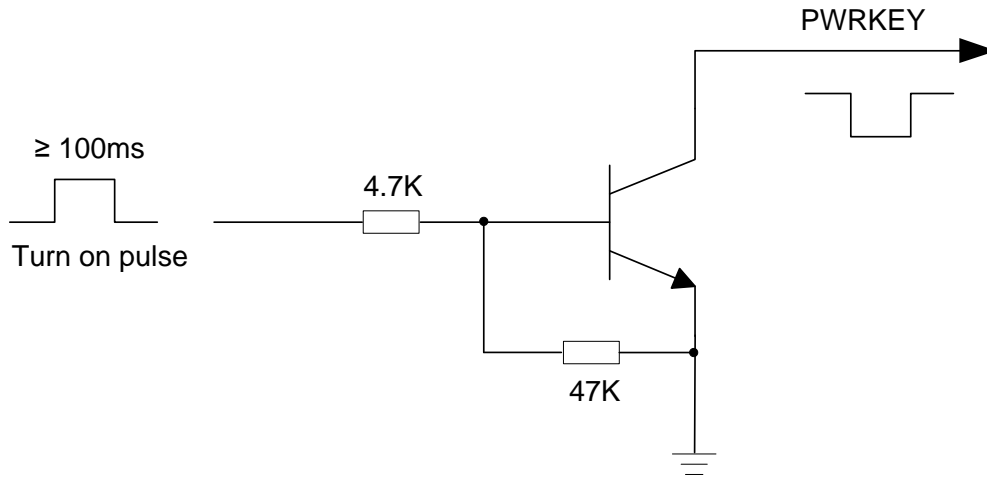


Figure 7: Turn on the Module Using Driving Circuit

The other way to control the PWRKEY is using a button directly. A TVS component is indispensable to be placed nearby the button for ESD protection. When pressing the key, electrostatic strike may generate from finger. A reference circuit is showed in the following figure.

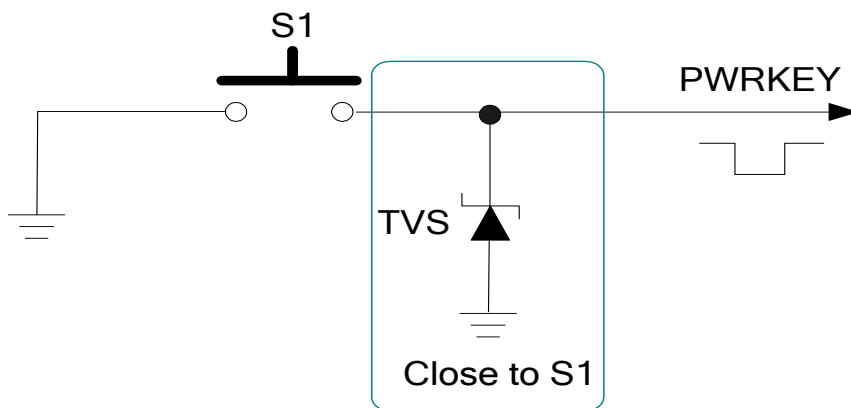


Figure 8: Turn on the Module Using Keystroke

The turn on scenarios is illustrated as the following figure.

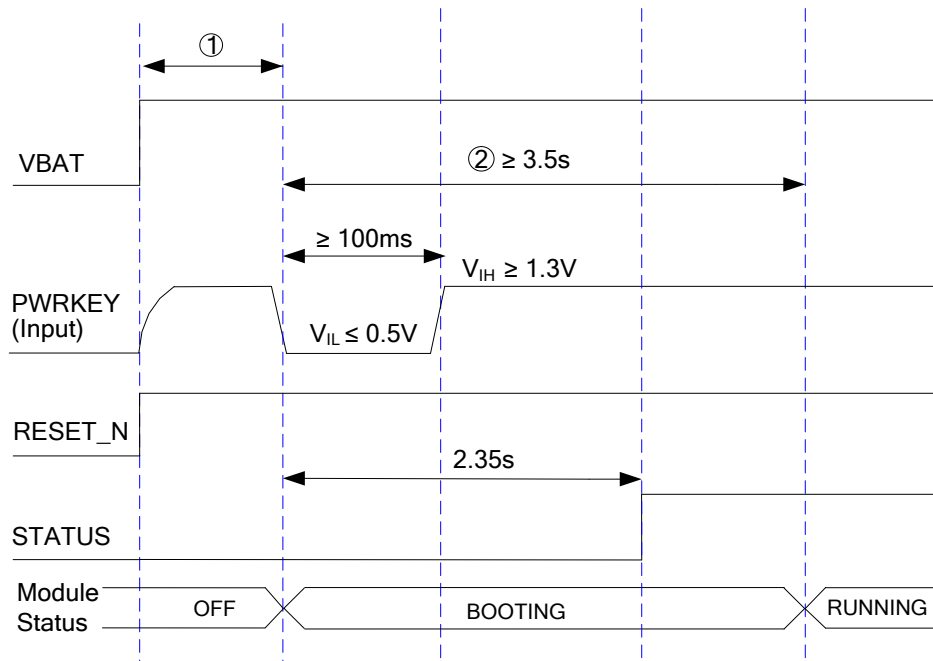


Figure 9: Timing of Turning on Module

NOTES

1. Make sure that VBAT is stable before pulling down PWRKEY pin. The time between them is recommended 30ms.
2. USB is unconnected during the test.

3.7.2. Turn off Module

The following procedures can be used to turn off the module:

- Normal power down procedure: Turn off the module using the PWRDWN_N pin.
- Normal power down procedure: Turn off the module using command **AT+QPOWD**.
- Automatic shutdown: Turn off the module automatically if under-voltage or over-voltage is detected.

3.7.2.1. Turn off Module Using the PWRDWN_N Pin

The following table shows the pin definition of PWRDWN_N.

Table 8: PWRDWN_N Pin Description

Pin Name	Pin No.	Description	DC Characteristics	Comment
PWRDWN_N	16	Turn off the module.	$V_{IHmax}=2.1V$ $V_{IHmin}=1.3V$ $V_{ILmax}=0.5V$	Pull-up to 1.8V internally with 4.7kΩ resistor.

Driving the PWRDWN_N to a low level voltage at least 100ms, the module will execute power-down procedure after PWRDWN_N is released. It is recommended to use an open drain/collector driver to control the PWRDWN_N. You can monitor the level of the STATUS pin to judge whether the module is turned off or not. After STATUS pin outputting a low level, PWRDWN_N pin can be released. A simple reference circuit is illustrated in the following figure.

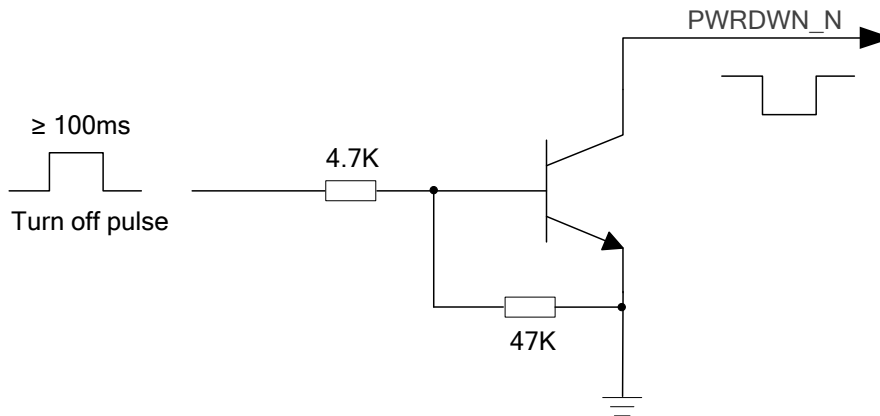


Figure 10: Turn off the Module Using Driving Circuit

The other way to control the PWRDWN_N is using a button directly. A TVS component is indispensable to be placed nearby the button for ESD protection. When pressing the key, electrostatic strike may generate from finger. A reference circuit is showed in the following figure.

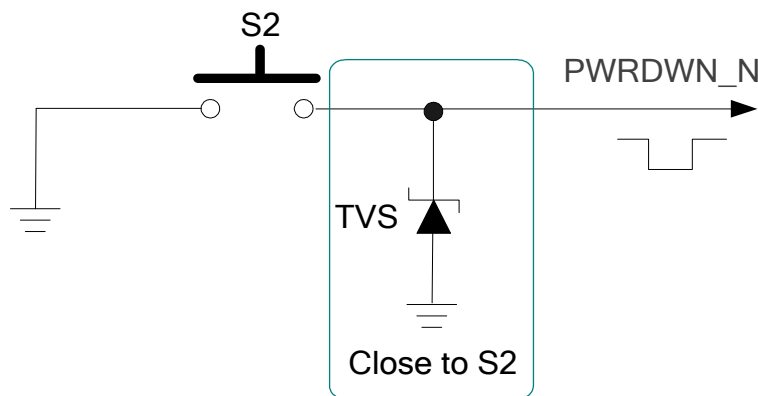


Figure 11: Turn off the Module Using Keystroke

The power-down scenario is illustrated as the following figure.

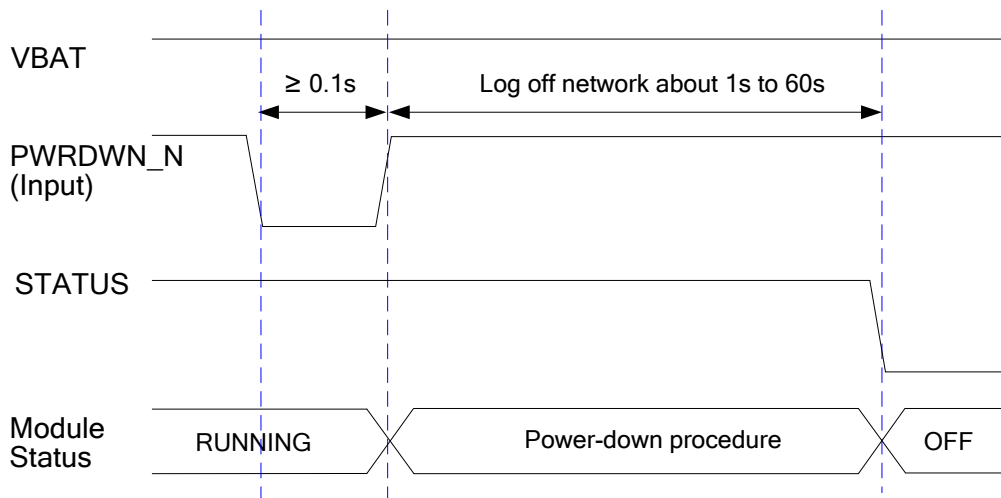


Figure 12: Timing of Turning off Module

During power-down procedure, module will log off network and save important data. After logging off, module sends out “OK”, and then sends out “POWERED DOWN” and shut down the internal power supply. The power on VBAT pins is not allowed to turn off before the URC “POWERED DOWN” is output to avoid data loss. If logging off is not done within 60s, module will shut down internal power supply forcibly.

After that moment, the module enters the power down mode, no other AT commands can be executed and only the RTC is still active. The power down mode can also be indicated by the STATUS pin.

3.7.2.2. Turn off Module Using AT Command

It is also a safe way to use AT command **AT+QPOWD** to turn off the module, which is similar to turning off the module via PWRDWN_N Pin.

Please refer to **document [1]** for details about the AT command of **AT+QPOWD**.

3.7.2.3. Automatic Shutdown

The module will constantly monitor the voltage applied on the VBAT, if the voltage $\leq 3.5V$, the following URC will be presented:

+QIND: “vbatt”,-1

If the voltage $\geq 4.21V$, the following URC will be presented:

+QIND: "vbatt",1

The uncritical voltage is 3.3V to 4.3V, If the voltage $> 4.3V$ or $< 3.3V$ the module would automatically shut down itself.

If the voltage $< 3.3V$, the following URC will be presented:

+QIND: "vbatt",-2

If the voltage $> 4.3V$, the following URC will be presented:

+QIND: "vbatt",2

NOTE

The value of voltage threshold can be revised by AT command, refer to **document [1]** for details.

3.8. Reset the Module

The RESET_N can be used to reset the module.

Table 9: RESET_N Pin Description

Pin Name	Pin No.	Description	DC Characteristics	Comment
RESET_N	17	Reset the module.	$V_{IHmax}=2.1V$ $V_{IHmin}=1.3V$ $V_{ILmax}=0.5V$	Pull-up to 1.8V internally with 200k Ω resistor. Active low.

You can reset the module by driving the RESET_N to a low level voltage for more than 100ms and then releasing.

The recommended circuit is similar to the PWRKEY control circuit. You can use open drain/collector driver or button to control the RESET_N.

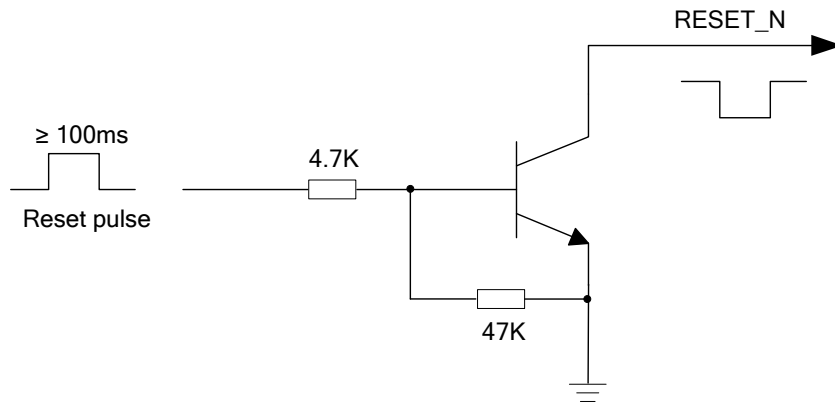


Figure 13: Reference Circuit of RESET_N by Using Driving Circuit

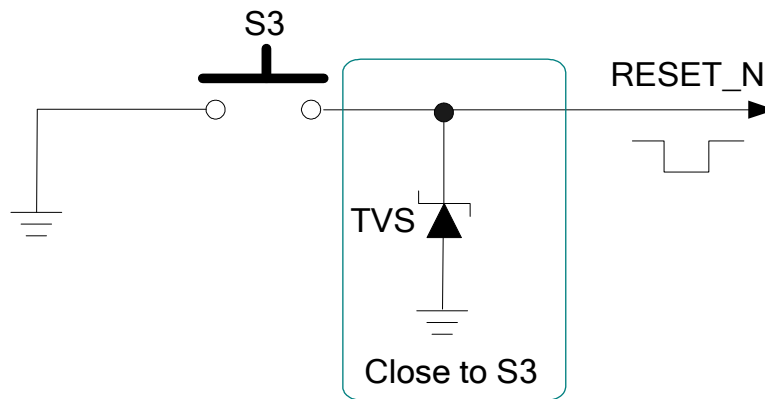


Figure 14: Reference Circuit of RESET_N by Using Button

The reset scenario is illustrated as the following figure.

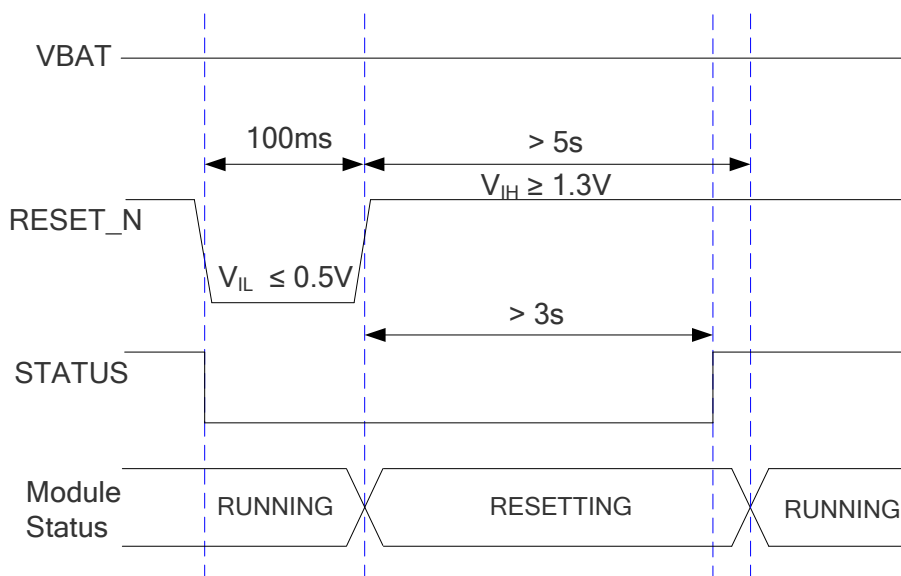


Figure 15: Timing of Resetting Module

NOTE

Use the RESET_N only when turning off the module by the command **AT+QPOWD** and the PWRDWN_N pin failed.

3.9. RTC Interface

The RTC (Real Time Clock) can be powered by an external capacitor through the pin VRTC when the module is powered down and there is no power supply for the VBAT. If the voltage supply at VBAT is disconnected, the RTC can be powered by the capacitor. The size of the capacitance determines the duration of buffering when no voltage is applied to UG35. The greater the capacitance the longer UG35 will save the date and time.

The capacitor is charged from the internal LDO of UG35 when there is power supply for the VBAT. A serial 1kOhm resistor had placed on the application inside the module. It limits the input current of an empty capacitor or battery.

The following figures show the sample circuit for VRTC backup.

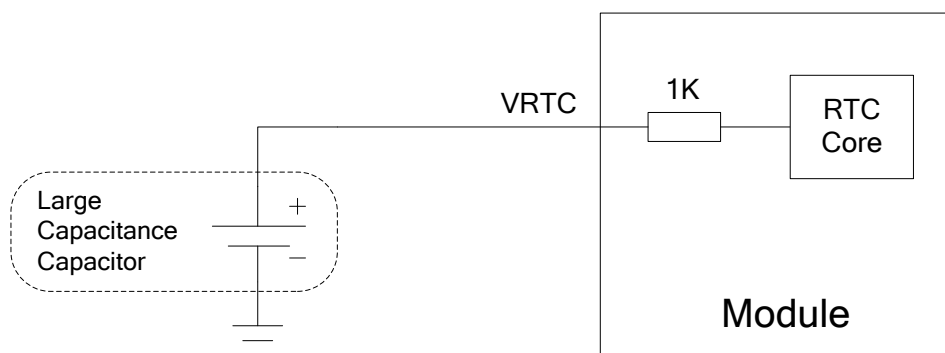


Figure 16: RTC Supply from Capacitor

3.10. UART Interface

The module provide main UART interface.

Main UART interface supports 9600, 19200, 38400, 57600, 115200, 230400, 460800, 921600, 3000000, 6000000bps baud rate, the default is 115200bps, while autobauding is not supported. This interface can be used for data transmission, AT communication or firmware upgrade.

NOTE

USB interface supports software debug and firmware upgrade by default.

The module is designed as the DCE (Data Communication Equipment), following the traditional DCE-DTE (Data Terminal Equipment) connection. The following tables show the pin definition of these two UART interfaces.

Table 10: Pin Definition of the Main UART Interface

Pin Name	Pin No.	I/O	Description	Comment
RI	39	DO	Ring indicator.	1.8V power domain.
DCD	38	DO	Data carrier detection.	1.8V power domain.
CTS	36	DO	Clear to send.	1.8V power domain.
RTS	37	DI	Request to send.	1.8V power domain.
DTR	30	DI	Data terminal ready.	1.8V power domain.
TXD	34	DO	Transmit data.	1.8V power domain.
RXD	35	DI	Receive data.	1.8V power domain.

The logic levels are described in the following table.

Table 11: Logic Levels of Digital I/O

Parameter	Min.	Max.	Unit
V_{IL}	-0.3	0.35	V
V_{IH}	1.3	1.85	V
V_{OL}	0	0.25	V
V_{OH}	1.55	1.8	V

UG35 provides a 1.8V UART interface. A level shifter should be used if your application is equipped with a 3.3V UART interface. A level shifter TXS0108EPWR provided by **Texas Instruments** is recommended. The following figure shows the reference design of the TXS0108EPWR.

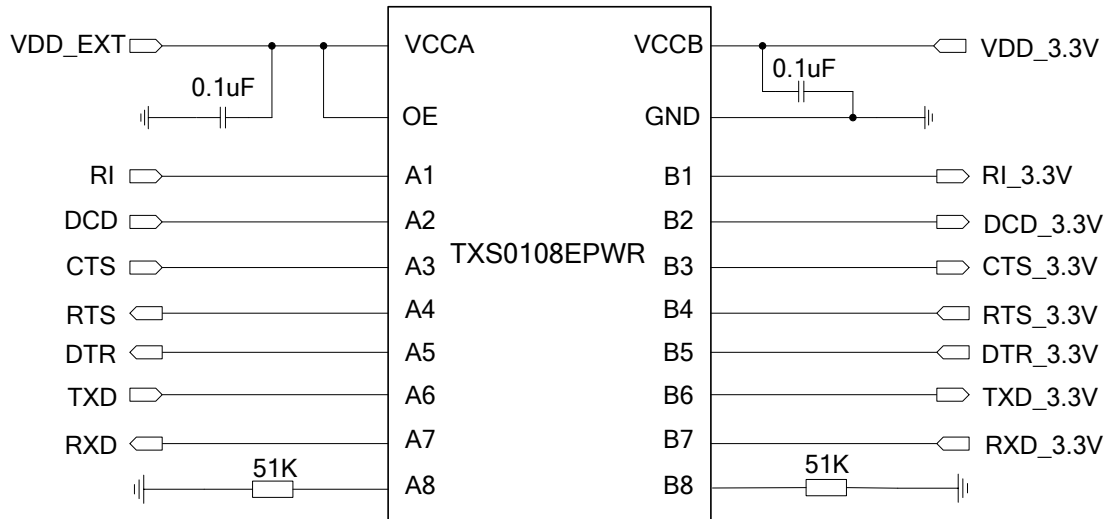


Figure 17: Reference Circuit of Logic Level Translator

Please visit <http://www.ti.com> for more information.

The following figure is an example of connection between UG35 and PC. A voltage level translator and a RS-232 level translator chip must be inserted between module and PC, since these two UART interfaces do not support the RS-232 level, while support the 1.8V CMOS level only.

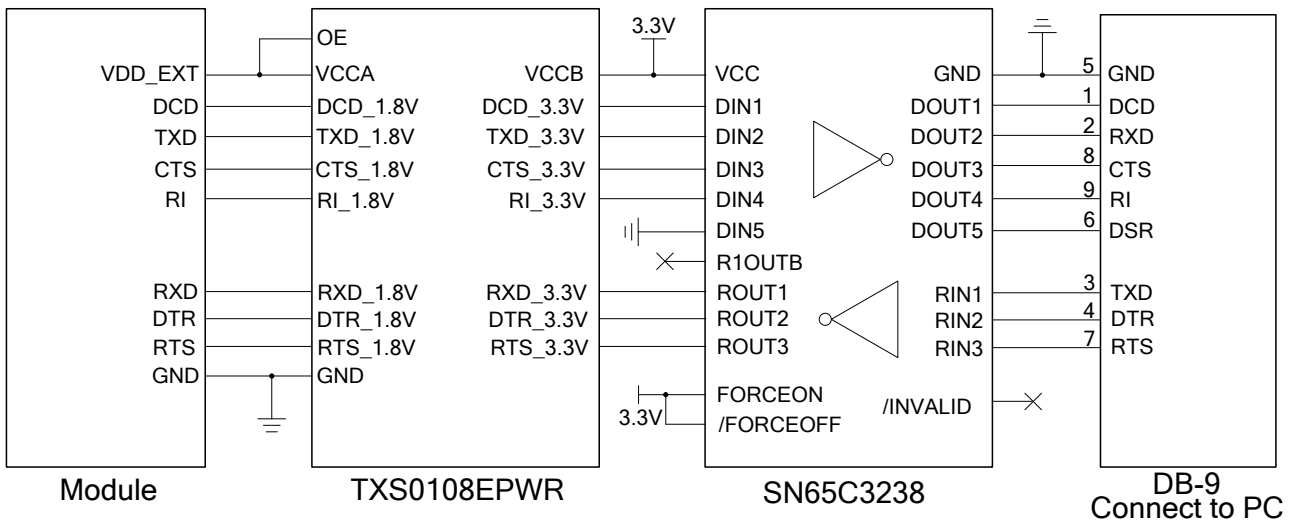


Figure 18: RS232 Level Match Circuit

Please visit <http://www.ti.com> for more information.

NOTES

1. The module disables the hardware flow control by default. When hardware flow control is required, RTS and CTS should be connected to the host. AT command **AT+IFC=2,2** is used to enable hardware flow control. AT command **AT+IFC=0,0** is used to disable the hardware flow control. For more details, please refer to **document [1]**.
2. Rising edge on DTR will let the module exit from the data mode by default. It can be disabled by AT commands. Refer to **document [1]** for details.
3. DCD is used as data mode indication. Refer to **document [1]** for details.

3.11. USIM Card Interface

3.11.1. USIM Card Application

The USIM card interface circuitry meets ETSI and IMT-2000 SIM interface requirements. Both 1.8V and 3.0V USIM cards are supported.

Table 12: Pin Definition of the USIM Interface

Pin Name	Pin No.	I/O	Description	Comment
USIM_VDD	43	PO	Power supply for USIM card.	Either 1.8V or 3V is supported by the module automatically.
USIM_DATA	45	IO	Data signal of USIM card.	Pull-up to USIM_VDD with 4.7k resistor internally.
USIM_CLK	46	DO	Clock signal of USIM card.	
USIM_RST	44	DO	Reset signal of USIM card.	
USIM_PRES ENCE	42	DI	USIM card detection input.	1.8V power domain.
USIM_GND	47		Specified ground for USIM card.	

The following figure shows the reference design of the 8-pin USIM card.

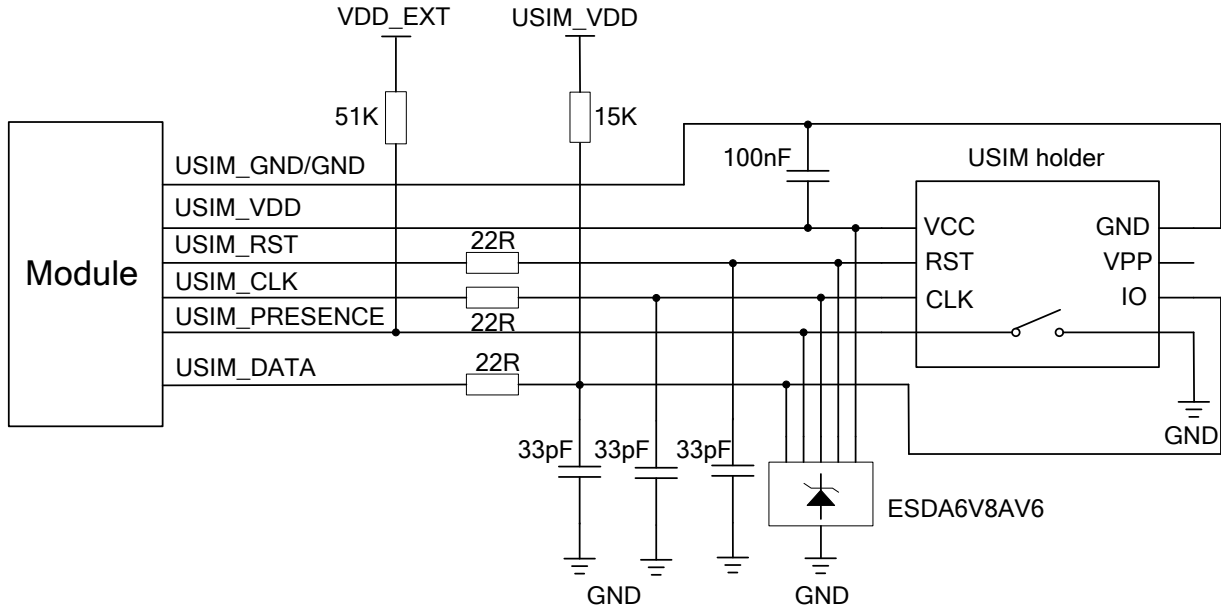


Figure 19: Reference Circuit of the 8 Pin USIM Card

NOTE

Some AT commands are invalid when USIM card is not applied.

UG35 supports USIM card hot-plugging via the USIM_PRESENCE pin. If you do not need the USIM card detection function, keep USIM_PRESENCE unconnected. The reference circuit for using a 6-pin USIM card socket is illustrated as the following figure.

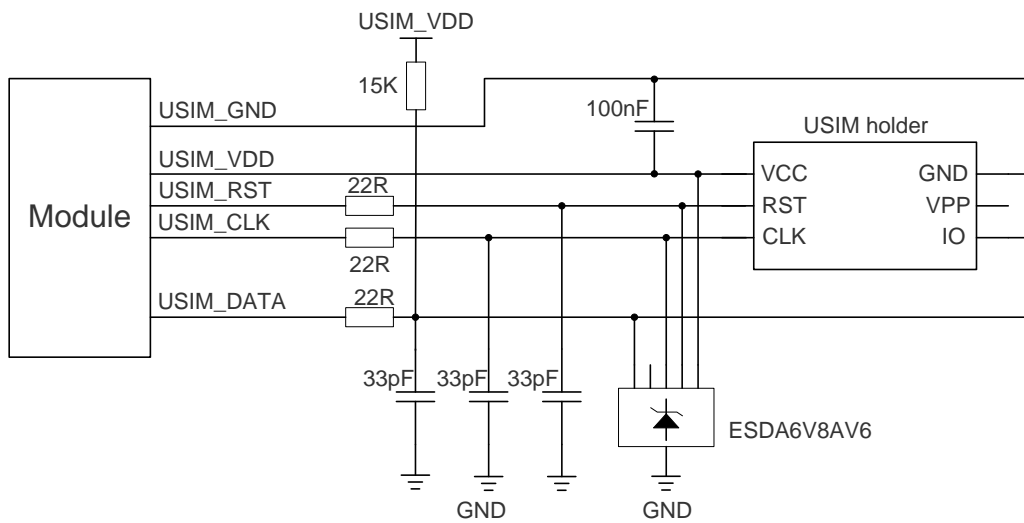


Figure 20: Reference Circuit of the 6 Pin USIM Card

In order to enhance the reliability and availability of the USIM card in customer's application, please follow the following criterion in the USIM circuit design:

- Keep layout of USIM card as close as possible to the module. Assure the possibility of the length of the trace is less than 200mm.
- Keep USIM card signal away from RF and VBAT alignment.
- Assure the ground between module and USIM holder short and wide. Keep the width of ground and USIM_VDD no less than 0.5mm to maintain the same electric potential. The decouple capacitor of USIM_VDD should be less than 1uF and must be near to USIM holder.
- To avoid cross-talk between USIM_DATA and USIM_CLK, keep them away with each other and shield them with surrounded ground.
- In order to offer good ESD protection, it is recommended to add TVS such as WILL (<http://www.willsemi.com>) ESDA6V8AV6. The 22Ω resistors should be added in series between the module and the USIM card so as to suppress the EMI spurious transmission and enhance the ESD protection. The 33pF capacitors are used for filtering interference of EGSM900. Please note that the USIM peripheral circuit should be close to the USIM card socket.

3.11.2. Design Considerations for USIM Card Holder

For 8-pin USIM card holder, it is recommended to use Molex 91228. Please visit <http://www.molex.com> for more information.

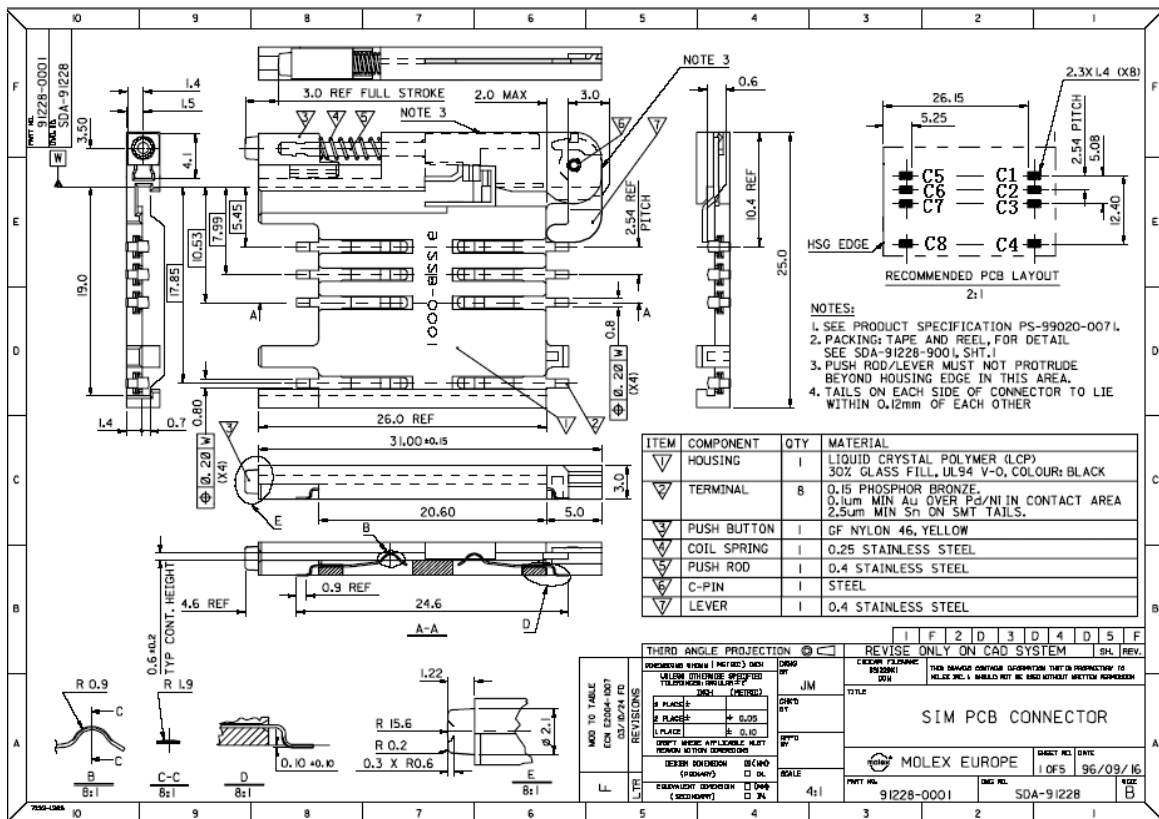


Figure 21: Molex 91228 USIM Card Holder

Table 13: Pin Description of Molex USIM Card Holder

Name	Pin	Function
VDD	C1	USIM card power supply.
RST	C2	USIM card reset.
CLK	C3	USIM card clock.
/	C4	Not defined.
GND	C5	Ground.
VPP	C6	Not connected.
DATA I/O	C7	USIM card data.
/	C8	Pull-down GND with external circuit. When the tray is present, C4 is connected to C8.

For 6-pin USIM card holder, it is recommended to use Amphenol C707 10M006 512 2. Please visit <http://www.amphenol.com> for more information.

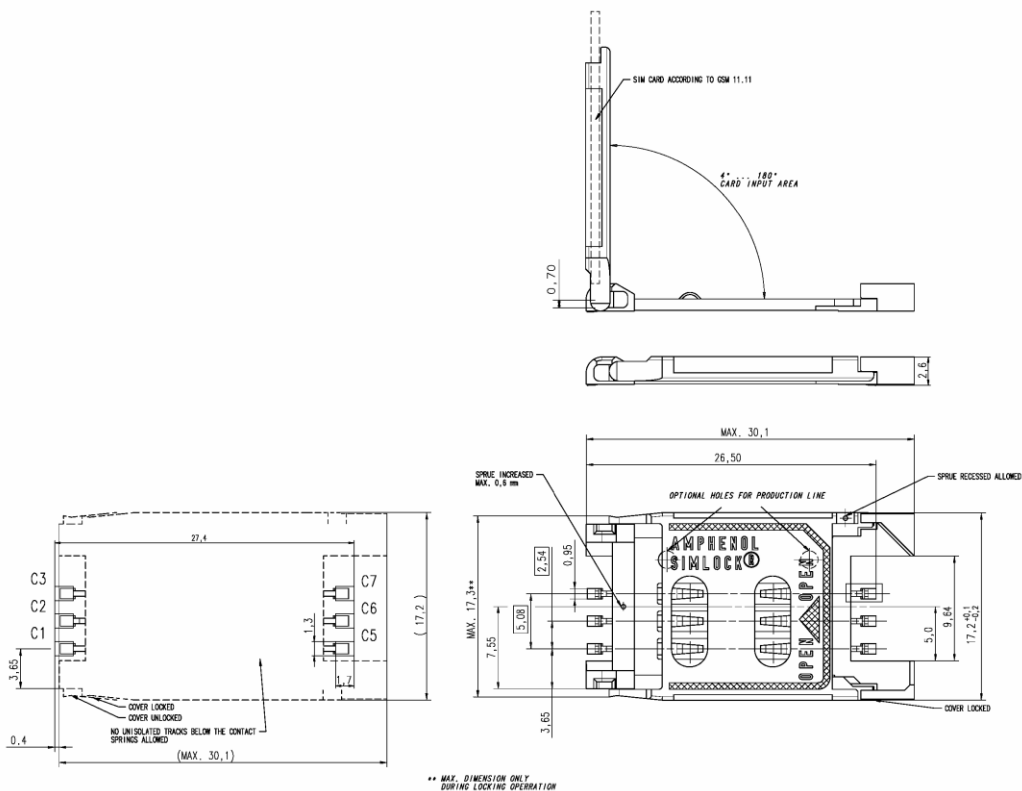


Figure 22: Amphenol C707 10M006 512 2 USIM Card Holder

Table 14: Pin Description of Amphenol USIM Card Holder

Name	Pin	Function
VDD	C1	USIM card power supply.
RST	C2	USIM card reset.
CLK	C3	USIM card clock.
GND	C5	Ground.
VPP	C6	Not connected.
DATA I/O	C7	USIM card data.

3.12. USB Interface

UG35 contains one integrated Universal Serial Bus (USB) transceiver which complies with the USB 2.0 specification and supports high speed (480 Mbps), full speed (12 Mbps) and low speed (1.5 Mbps) mode. The USB interface is primarily used for AT command, data transmission, software debug and firmware upgrade. The following table shows the pin definition of USB interface.

Table 15: USB Pin Description

Pin Name	Pin No.	I/O	Description	Comment
USB_DP	10	IO	USB differential data bus (positive).	Require differential impedance of 90Ω.
USB_DM	9	IO	USB differential data bus (minus).	Require differential impedance of 90Ω.
USB_VBUS	8	PI	Used for detecting the USB interface connected.	2.5~5.25V. Typical 5.0V.

More details about the USB 2.0 specifications, please visit <http://www.usb.org/home>.

The following figure shows the reference circuit of USB interface.

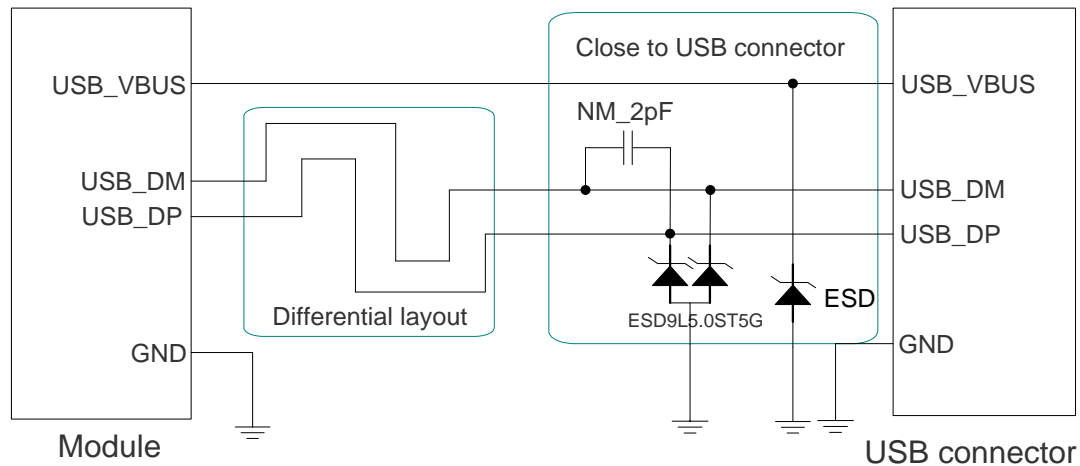


Figure 23: Reference Circuit of USB Application

In order to ensure the USB interface design corresponding with the USB 2.0 specification, please comply with the following principles.

- It is important to route the USB signal traces as differential pairs with total grounding. The impedance of USB differential trace is 90ohm.
- Pay attention to the influence of junction capacitance of ESD component on USB data lines. Typically, the capacitance value should be less than 2pF such as ESD9L5.0ST5G.
- Do not route signal traces under crystals, oscillators, magnetic devices and RF signal traces. It is important to route the USB differential traces in inner-layer with ground shielding not only upper and lower layer but also right and left side.
- Keep the ESD components as closer to the USB connector as possible.

NOTE

UG35 module can only be used as a slave device.

3.13. PCM and I2C Interface

UG35 provides one Pulse Code Modulation (PCM) digital interface for audio design, which supports the following features:

- Supports 16, 32, 48, and 64 bit mode with short frame synchronization.
- Supports master and slave operation.
- Length of WA pulse selectable between one and two clock cycles.
- CLK line is configurable to be either low, high or to remain running when no transmission takes place.

- Data valid on rising or falling edge of bit clock.
- Supports sending data in burst mode and continuous mode.
- Supports various audio sample rates (48 kHz, 44.1 kHz, 32 kHz, 24 kHz, 22.05 kHz, 16 kHz, 12 kHz, 11.025 kHz and 8 kHz).

The following figures show the PCM's timing.

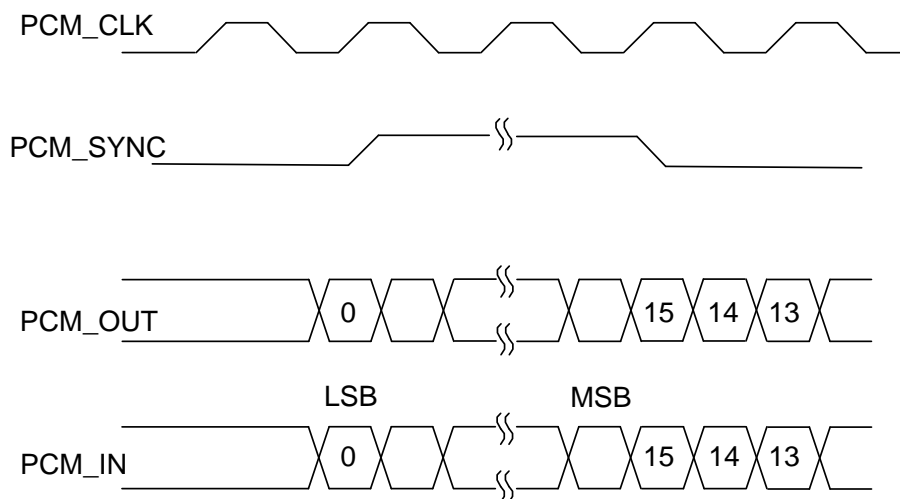


Figure 24: PCM Master Mode Timing

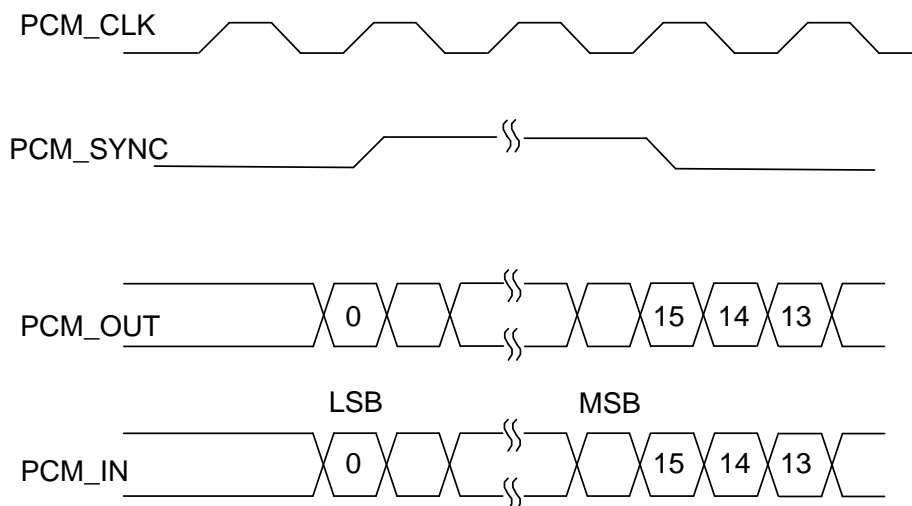


Figure 25: PCM Slave Mode Timing

The following table shows the pin definition of PCM and I2C interface which can be applied on audio codec design.

Table 16: Pin Definition of PCM and I2C Interface

Pin Name	Pin No.	I/O	Description	Comment
PCM_IN	6	DI	PCM data input.	1.8V power domain.
PCM_OUT	7	DO	PCM data output.	1.8V power domain.
PCM_SYNC	5	IO	PCM data frame sync signal.	1.8V power domain.
PCM_CLK	4	IO	PCM data bit clock.	1.8V power domain.
I2C_SCL	40	DO	I2C serial clock.	Require external pull-up resistor.
I2C_SDA	41	IO	I2C serial data.	Require external pull-up resistor.

Clock and mode can be configured by AT command, and the default configuration is master mode using short sync data format with 2048 kHz PCM_CLK and 8 kHz PCM_SYNC. In addition, UG35’s firmware has integrated the configuration on ALC5616 application with I2C interface. Refer to **document [1]** for details.

The following figure shows the reference design of PCM interface with external codec IC.

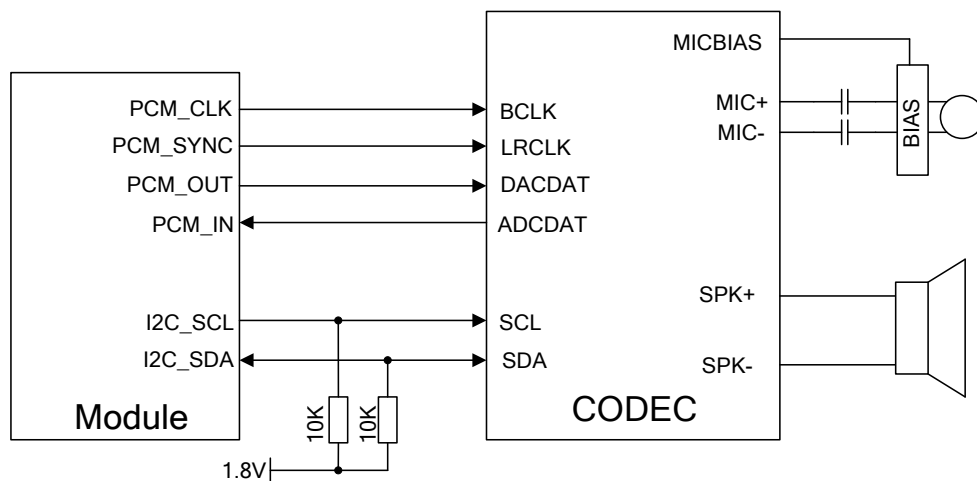


Figure 26: Reference Circuit of PCM Application with Audio Codec

NOTES

1. It is recommended to reserved RC (R=22Ω, C=22pF) circuit on the PCM lines, especially for PCM_CLK.
2. UG35 work as a master device pertaining to I2C interface.

3.14. Network Status Indication

The NETLIGHT signal can be used to drive a network status indication LED. The following table describes pin definition and logic level changes in different network status.

Table 17: Pin Definition of Network Indicator

Pin Name	Pin No.	I/O	Description	Comment
NETLIGHT	21	DO	Indicate the module network activity status.	1.8V power domain.

Table 18: Working State of the Network Indicator

Pin name	Status	Description
NETLIGHT	Flicker slowly (200ms High/1800ms Low)	Networks searching
	Flicker slowly (1800ms High/200ms Low)	Idle
	Flicker quickly (125ms High/125ms Low)	Data transfer is ongoing
	Always High.	Voice calling

A reference circuit is shown in the following figure.

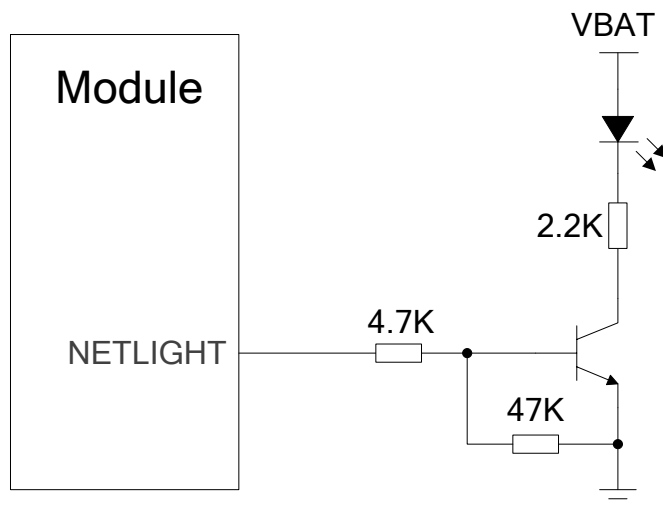


Figure 27: Reference Circuit of the NETLIGHT

3.15. Operating Status Indication

The STATUS pin is set as an output pin and can be used to judge whether module is power-on. In customer's design, this pin can be used to drive an LED in order to judge the module's operation status. A reference circuit is shown as below.

Table 19: Pin Definition of STATUS

Pin Name	Pin No.	I/O	Description	Comment
STATUS	20	DO	Indicate the module operation status.	1.8V power domain.

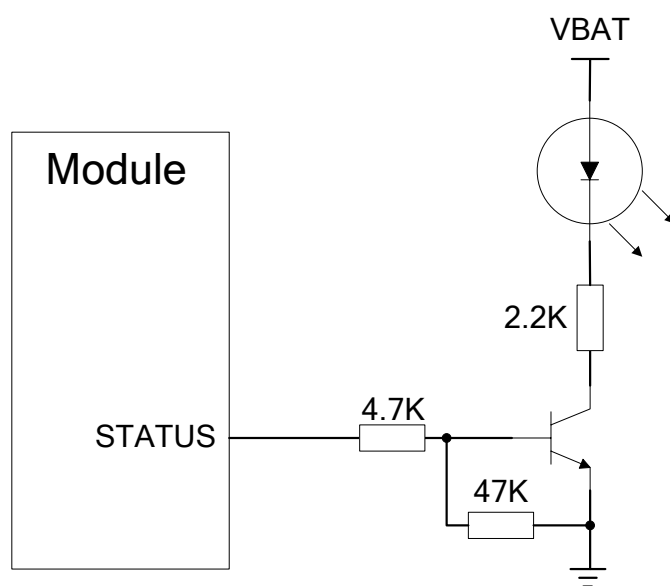


Figure 28: Reference Circuit of the STATUS

4 Antenna Interface

The Pin 60 is the RF antenna pad. The RF interface has an impedance of 50Ω.

4.1. GSM/UMTS Antenna Interface

4.1.1. Pin Definition

Table 20: Pin Definition of the RF Antenna

Pin Name	Pin No.	I/O	Description	Comment
GND	58		ground	
GND	59		ground	
RF_ANT	60	IO	RF antenna pad	50Ω impedance
GND	61		ground	
GND	62		ground	

4.1.2. Operating Frequency

Table 21: The Module Operating Frequencies

Band	Receive	Transmit	Unit
EGSM900	925 ~ 960	880 ~ 915	MHz
DCS1800	1805 ~ 1880	1710 ~ 1785	MHz
UMTS 2100	2110 ~ 2170	1920 ~ 1980	MHz
UMTS 900	925 ~ 960	880 ~ 915	MHz

4.1.3. Reference Design

The RF external circuit is recommended as below. It should reserve a π -type matching circuit for better RF performance. The capacitors are not mounted by default.

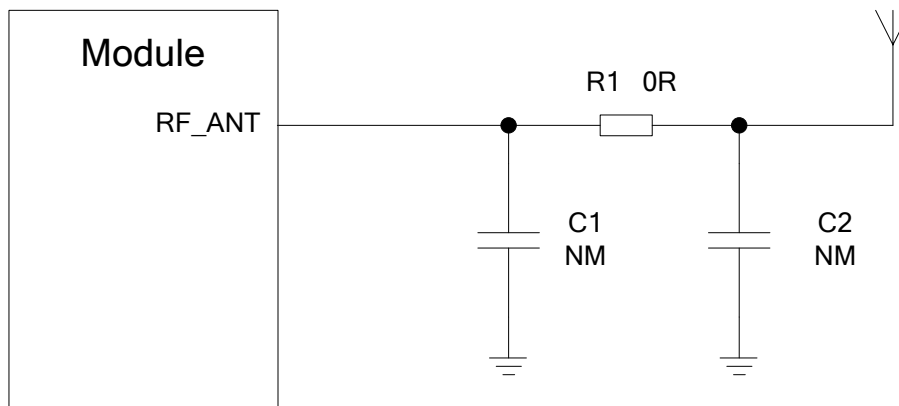


Figure 29: Reference Circuit of Antenna Interface

UG35 provides an RF antenna PAD for customer's antenna connection. The RF trace in host PCB connected to the module RF antenna pad should be micro-strip line or other types of RF trace, whose characteristic impedance should be close to 50Ω. UG35 comes with grounding pads which are next to the antenna pad in order to give a better grounding.

4.2. Antenna Installation

4.2.1. Antenna Requirement

The following table shows the requirement on GSM/UMTS antenna.

Table 22: Antenna Requirements

Type	Requirements
EGSM900 UMTS900	Cable insertion loss <1dB
DCS1800 UMTS2100	Cable insertion loss <1.5dB

4.2.2. Install the Antenna with RF Connector

The following is the antenna installation with RF connector provided by HIROSE. The recommended RF connector is UF.L-R-SMT.

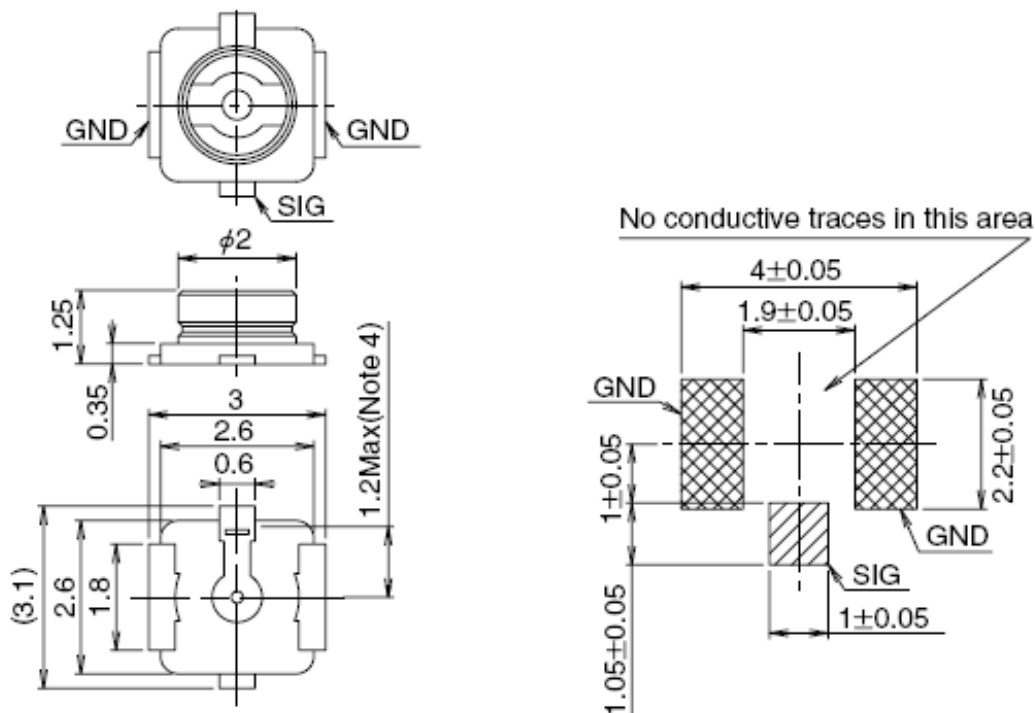


Figure 30: Dimensions of the UF.L-R-SMT Connector (Unit: mm)

You can use U.FL-LP serial connector listed in the following figure to match the UF.L-R-SMT.

	U.FL-LP-040	U.FL-LP-066	U.FL-LP(V)-040	U.FL-LP-062	U.FL-LP-088
Part No.					
Mated Height	2.5mm Max. (2.4mm Nom.)	2.5mm Max. (2.4mm Nom.)	2.0mm Max. (1.9mm Nom.)	2.4mm Max. (2.3mm Nom.)	2.4mm Max. (2.3mm Nom.)
Applicable cable	Dia. 0.81mm Coaxial cable	Dia. 1.13mm and Dia. 1.32mm Coaxial cable	Dia. 0.81mm Coaxial cable	Dia. 1mm Coaxial cable	Dia. 1.37mm Coaxial cable
Weight (mg)	53.7	59.1	34.8	45.5	71.7
RoHS	YES				

Figure 31: Mechanicals of UF.L-LP Connectors (Unit: mm)

The following figure describes the space factor of mated connector

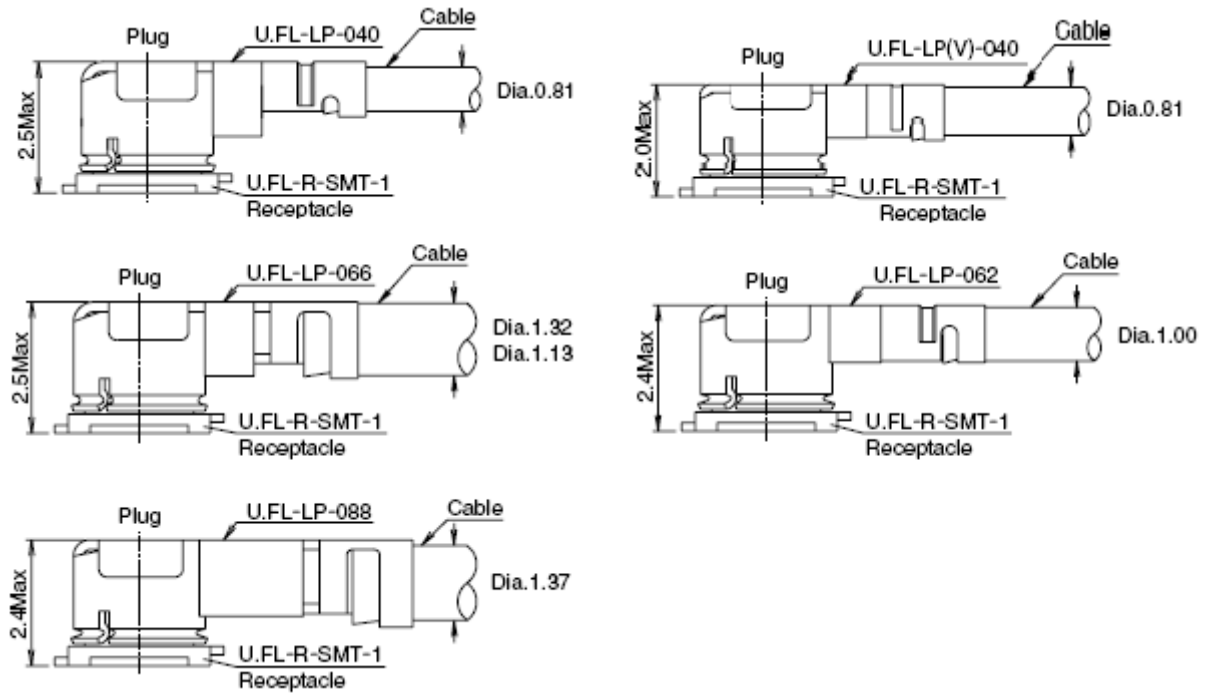


Figure 32: Space Factor of Mated Connector (Unit: mm)

For more details, please visit <http://www.hirose.com>.

5 Electrical, Reliability and Radio Characteristics

5.1. Absolute Maximum Ratings

Absolute maximum ratings for power supply and voltage on digital and analog pins of module are listed in the following table:

Table 23: Absolute Maximum Ratings

Parameter	Min.	Max.	Unit
VBAT_RF/VBAT_BB	-0.3	4.7	V
USB_VBUS	-0.3	5.5	V
Peak current of VBAT_BB	0	0.8	A
Peak current of VBAT_RF	0	2	A
Voltage at digital pins	-0.3	2.3	V

5.2. Power Supply Ratings

Table 24: The Module Power Supply Ratings

Parameter	Description	Conditions	Min.	Typ.	Max.	Unit
VBAT	VBAT_BB and VBAT_RF	Voltage must stay within the min/max values, including voltage drop, ripple, and spikes.	3.3	3.8	4.3	V
	Voltage drop during transmitting burst	Maximum power control level on EGSM900.			400	mV
I _{VBAT}	Peak supply current (during	Maximum power control level on EGSM900.		1.8	2.0	A

Parameter	Description	Conditions	Min.	Typ.	Max.	Unit
	transmission slot)					
USB_VBUS	USB detection		2.5	5.0	5.25	V

5.3. Operating Temperature

The operating temperature is listed in the following table.

Table 25: Operating Temperature

Parameter	Min.	Typ.	Max.	Unit
Normal Temperature	-30	25	65	°C
Restricted Operation ¹⁾	-40~ -35		70 ~ 80 ¹⁾	°C
Storage Temperature	-45		90	°C

NOTE

¹⁾ When the module works within the temperature range, the deviations from the RF specification may occur. For example, the frequency error or the phase error would increase.

5.4. Current Consumption

The values of current consumption are shown below.

Table 26: The Module Current Consumption

Parameter	Description	Conditions	Min.	Typ.	Max.	Unit
	OFF state supply current	Power down		71		uA
I _{VBAT}	WCDMA supply current	Sleep (USB disconnected) @ DRX=6		1.9		mA
		Sleep (USB disconnected) @ DRX=7		1.41		mA

Parameter	Description	Conditions	Min.	Typ.	Max.	Unit
		Sleep (USB disconnected) @DRX=8		1.23		mA
		Sleep (USB disconnected) @DRX=9		1.12		mA
		Idle (USB disconnected) @DRX=6		12.4		mA
		Idle (USB connected) @DRX=6		34		mA
	GPRS data transfer	EGSM900 1DL/1UL PCL=5		200.8		mA
		EGSM900 4DL/1UL PCL=5		211.3		mA
		EGSM900 3DL/2UL PCL=5		336.7		mA
		EGSM900 2DL/3UL PCL=5		425		mA
		EGSM900 1DL/4UL PCL=5		490.2		mA
		DCS1800 1DL/1UL PCL=0		137.2		mA
		DCS1800 4DL/1UL PCL=0		160.3		mA
		DCS1800 3DL/2UL PCL=0		235.5		mA
		DCS1800 2DL/3UL PCL=0		292.8		mA
		DCS1800 1DL/4UL PCL=0		334.8		mA
	WCDMA data transfer	UMTS2100 HSDPA @power=21		524.41		mA
		UMTS2100 HSUPA @power=19		481.3		mA
		UMTS900 HSDPA @power=21		478.02		mA
		UMTS900 HSUPA @power=19		470.28		mA
	GSM voice call	EGSM900 @PCL=5		212.3		mA
		EGSM900 @PCL=12		90.1		mA
		EGSM900 @PCL=19		66.5		mA
		DCS1800 @PCL=0		158.8		mA
		DCS1800 @PCL=7		76.8		mA

Parameter	Description	Conditions	Min.	Typ.	Max.	Unit
		DCS1800 @PCL=15		61.6		mA
	WCDMA voice call	UMTS2100 @max power		572.6		mA
		UMTS900 @max power		561		mA

5.5. RF Output Power

The following table shows the RF output power of UG35 module.

Table 27: Conducted RF Output Power

Frequency	Max.	Min.
EGSM900	33dBm±2dB	5dBm±5dB
DCS1800	30dBm±2dB	0dBm±5dB
EGSM900(GMSK)	33dBm±2dB	5dBm±5dB
DCS1800(GMSK)	30dBm±2dB	0dBm±5dB
UMTS 2100	24dBm+1/-3.5dB	<-50dBm
UMTS 900	24dBm+1/-3.5dB	<-50dBm

NOTE

In GPRS 4 slots TX mode, the max output power is reduced by 3dB. This design conforms to the GSM specification as described in chapter 13.16 of 3GPP TS 51.010-1.

5.6. RF Receiving Sensitivity

The following table shows the conducted RF receiving sensitivity of UG35 module.

Table 28: Conducted RF Receiving Sensitivity

Frequency	Receive Sensitivity (Typ.)
EGSM900	-109.4dBm

DCS1800	-110.4dBm
UMTS 2100	-109.25dBm
UMTS 900	-110dBm

5.7. Electrostatic Discharge

The module is not protected against electrostatics discharge (ESD) in general. Consequently, it is subject to ESD handling precautions that typically apply to ESD sensitive components. Proper ESD handling and packaging procedures must be applied throughout the processing, handling and operation of any application that incorporates the module.

The following table shows the module electrostatics discharge characteristics.

Table 29: Electrostatics Discharge Characteristics

Tested Points	Contact Discharge	Air Discharge	Unit
VBAT, GND	-	-	kV
Antenna interface	-	-	kV
Other interfaces	-	-	kV

6 Mechanical Dimensions

This chapter describes the mechanical dimensions of the module. All dimensions are measured in mm.

6.1. Mechanical Dimensions of the Module

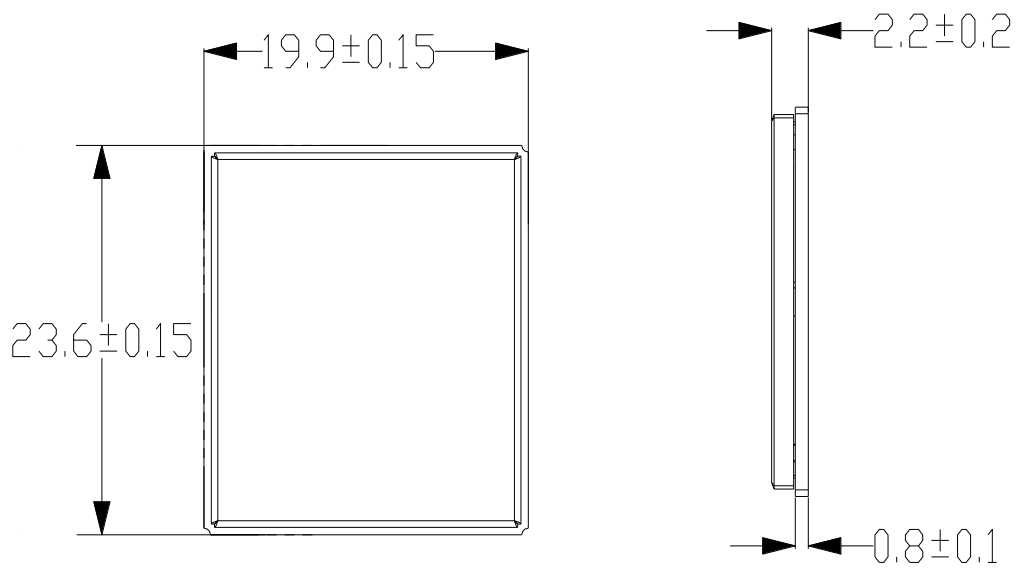


Figure 33: UG35 Top and Side Dimensions

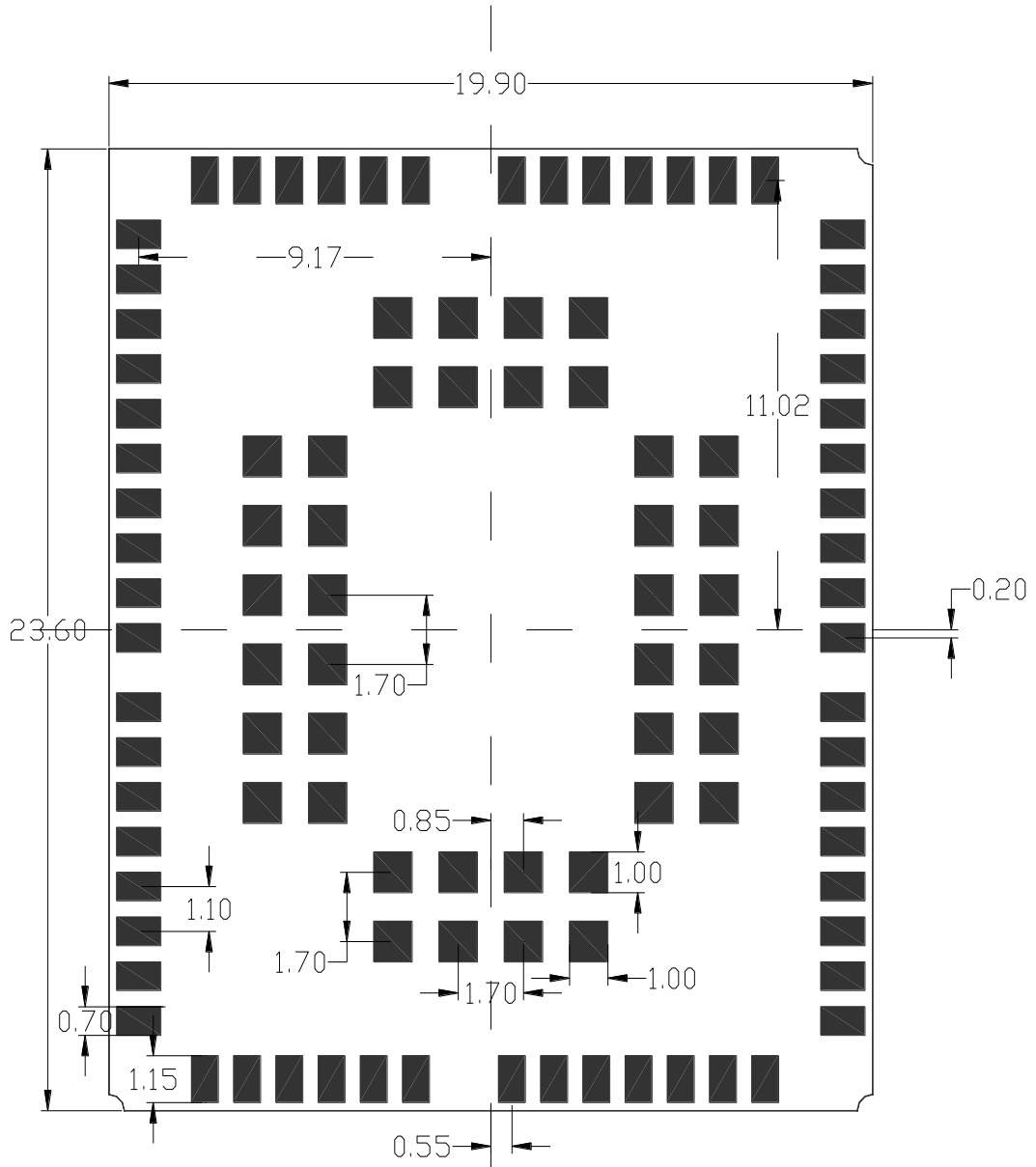


Figure 34: UG35 Bottom Dimensions (Top View)

6.2. Footprint of Recommendation

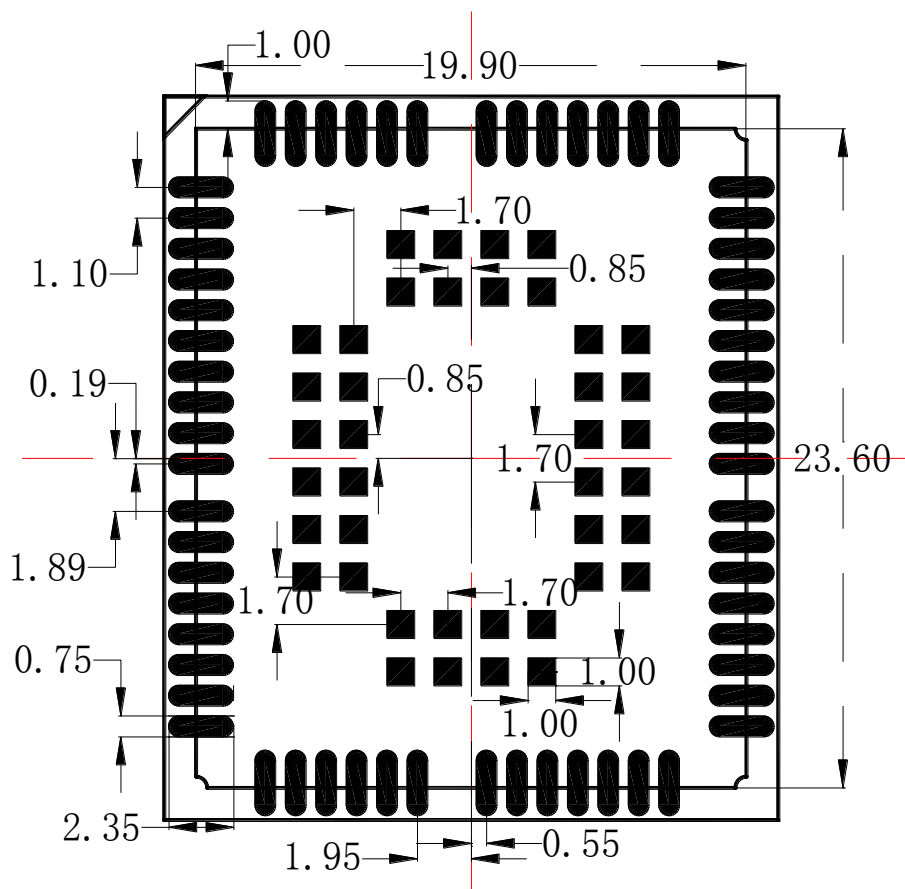


Figure 35: Recommended Footprint (Top View)

NOTES

1. Keep out the area below the test point (circular area on the above figure) in the host PCB.
2. In order to maintain the module, keep about 3mm between the module and other components in the host PCB.

6.3. Top View of the Module



Figure 36: Top View of the Module

6.4. Bottom View of the Module

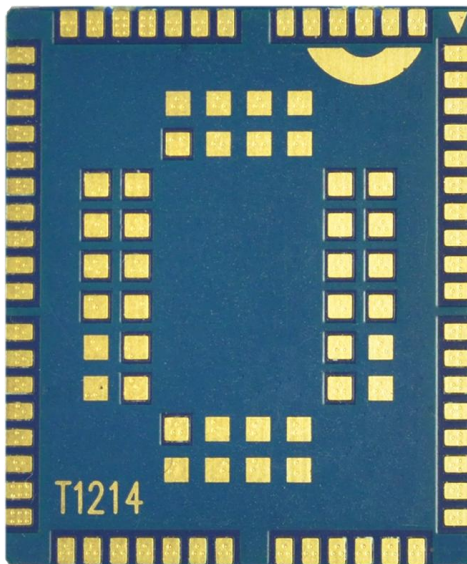


Figure 37: Bottom View of the Module

7 Storage and Manufacturing

7.1. Storage

UG35 is stored in the vacuum-sealed bag. The restriction of storage condition is shown as below.

Shelf life in sealed bag is 12 months at <40°C/90%RH.

After this bag is opened, devices that will be subjected to reflow solder or other high temperature process must be:

- Mounted within 72 hours at factory conditions of $\leq 30^{\circ}\text{C}/60\%\text{RH}$.
- Stored at <10% RH.

Devices require bake, before mounting, if:

- Humidity indicator card is >10% when read $23^{\circ}\text{C}\pm 5^{\circ}\text{C}$.
- Mounted for more than 72 hours at factory conditions of $\leq 30^{\circ}\text{C}/60\%\text{RH}$.

If baking is required, devices may be baked for 48 hours at $125^{\circ}\text{C}\pm 5^{\circ}\text{C}$.

NOTE

As plastic container cannot be subjected to high temperature, Module needs to be taken out from container to high temperature (125°C) bake. If shorter bake times are desired, please refer to IPC/JEDECJ-STD-033 for bake procedure.

7.2. Manufacturing and Welding

The squeegee should push the paste on the surface of the stencil that makes the paste fill the stencil openings and penetrate to the PCB. The force on the squeegee should be adjusted so as to produce a clean stencil surface on a single pass. To ensure the module soldering quality, the thickness of stencil at the hole of the module pads should be 0.13mm. For details, please refer to **document [6]**.

It is suggested that peak reflow temperature is 235 ~ 245°C (for SnAg3.0Cu0.5 alloy). Absolute max reflow temperature is 260°C. To avoid damage to the module when it was repeatedly heated, it is suggested that the module should be mounted after the first panel has been reflowed. The following picture is the actual diagram which we have operated.

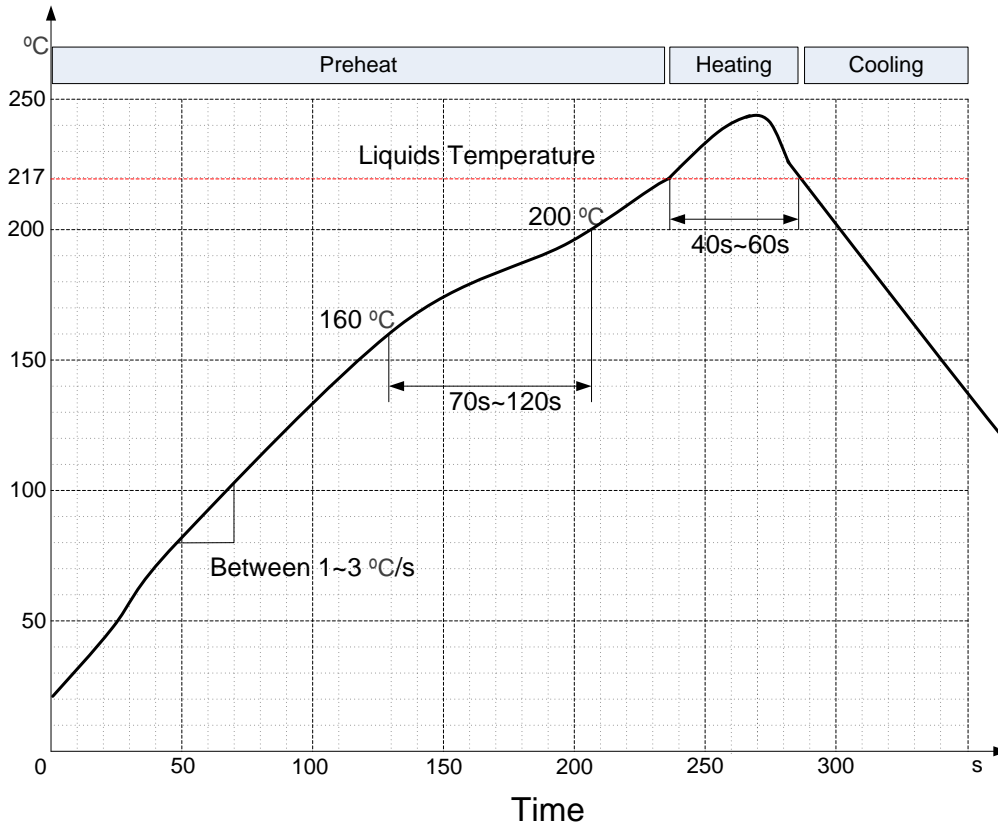


Figure 38: Reflow Soldering Profile

7.3. Packaging

TBD.

8 Appendix A Reference

Table 30: Related Documents

SN	Document Name	Remark
[1]	UG35_AT_Commands_Manual	UG35 AT Commands Manual
[2]	UC20_EVB_User_Guide	UC20 EVB User Guide
[3]	UG35_Reference_Design	UG35 Reference Design
[4]	UG35&M35_Reference_Design	UG35 and M35 Compatible Reference Design
[5]	UG35&M35_Compatible_Design	UG35 and M35 Compatibility Design Specification
[6]	Module_Secondary_SMT_User_Guide	Module Secondary SMT User Guide

Table 31: Terms and Abbreviations

Abbreviation	Description
AMR	Adaptive Multi-rate
ARP	Antenna Reference Point
bps	bits per second
CHAP	Challenge Handshake Authentication Protocol
CS	Coding Scheme
CSD	Circuit Switched Data
CTS	Clear To Send
DRX	Discontinuous Reception
DCE	Data Communications Equipment (typically module)
DTE	Data Terminal Equipment (typically computer, external controller)

DTR	Data Terminal Ready
DTX	Discontinuous Transmission
EFR	Enhanced Full Rate
EGSM	Extended GSM900 band (includes standard GSM900 band)
ESD	Electrostatic Discharge
FR	Full Rate
GMSK	Gaussian Minimum Shift Keying
GPS	Global Positioning System
GSM	Global System for Mobile Communications
HR	Half Rate
HSPA	High Speed Packet Access
I/O	Input/Output
IMEI	International Mobile Equipment Identity
Imax	Maximum Load Current
Inorm	Normal Current
LED	Light Emitting Diode
LNA	Low Noise Amplifier
MO	Mobile Originated
MS	Mobile Station (GSM engine)
MT	Mobile Terminated
PAP	Password Authentication Protocol
PBCCH	Packet Broadcast Control Channel
PCB	Printed Circuit Board
PDU	Protocol Data Unit
PPP	Point-to-Point Protocol

PSK	Phase Shift Keying
QAM	Quadrature Amplitude Modulation
QPSK	Quadrature Phase Shift Keying
RF	Radio Frequency
RHCP	Right Hand Circularly Polarized
RMS	Root Mean Square (value)
RTC	Real Time Clock
Rx	Receive
SIM	Subscriber Identification Module
SMS	Short Message Service
TDMA	Time Division Multiple Access
TE	Terminal Equipment
TX	Transmitting Direction
UART	Universal Asynchronous Receiver & Transmitter
UMTS	Universal Mobile Telecommunications System
URC	Unsolicited Result Code
USIM	Universal Subscriber Identity Module
USSD	Unstructured Supplementary Service Data
V _{max}	Maximum Voltage Value
V _{norm}	Normal Voltage Value
V _{min}	Minimum Voltage Value
V _{IHmax}	Maximum Input High Level Voltage Value
V _{IHmin}	Minimum Input High Level Voltage Value
V _{ILmax}	Maximum Input Low Level Voltage Value
V _{ILmin}	Minimum Input Low Level Voltage Value

$V_{I\max}$	Absolute Maximum Input Voltage Value
$V_{I\min}$	Absolute Minimum Input Voltage Value
$V_{OH\max}$	Maximum Output High Level Voltage Value
$V_{OH\min}$	Minimum Output High Level Voltage Value
$V_{OL\max}$	Maximum Output Low Level Voltage Value
$V_{OL\min}$	Minimum Output Low Level Voltage Value
VSWR	Voltage Standing Wave Ratio
WCDMA	Wideband Code Division Multiple Access

9 Appendix B GPRS Coding Scheme

Table 32: Description of Different Coding Schemes

Scheme	CS-1	CS-2	CS-3	C4-4
Code Rate	1/2	2/3	3/4	1
USF	3	3	3	3
Pre-coded USF	3	6	6	12
Radio Block excl.USF and BCS	181	268	312	428
BCS	40	16	16	16
Tail	4	4	4	-
Coded Bits	456	588	676	456
Punctured Bits	0	132	220	-
Data Rate Kb/s	9.05	13.4	15.6	21.4

10 Appendix C GPRS Multi-slot Class

Twenty-nine classes of GPRS multi-slot modes are defined for MS in GPRS specification. Multi-slot classes are product dependant, and determine the maximum achievable data rates in both the uplink and downlink directions. Written as 3+1 or 2+2, the first number indicates the amount of downlink timeslots, while the second number indicates the amount of uplink timeslots. The active slots determine the total number of slots the GPRS device can use simultaneously for both uplink and downlink communications. The description of different multi-slot classes is shown in the following table.

Table 33: GPRS Multi-slot Classes

Multislot Class	Downlink Slots	Uplink Slots	Active Slots
1	1	1	2
2	2	1	3
3	2	2	3
4	3	1	4
5	2	2	4
6	3	2	4
7	3	3	4
8	4	1	5
9	3	2	5
10	4	2	5
11	4	3	5
12	4	4	5

11 Appendix D EDGE Modulation and Coding Scheme

Table 34: EDGE Modulation and Coding Scheme

Coding Scheme	Modulation	Coding Family	1 Timeslot	2 Timeslot	4 Timeslot
CS-1:	GMSK	/	9.05kbps	18.1kbps	36.2kbps
CS-2:	GMSK	/	13.4kbps	26.8kbps	53.6kbps
CS-3:	GMSK	/	15.6kbps	31.2kbps	62.4kbps
CS-4:	GMSK	/	21.4kbps	42.8kbps	85.6kbps
MCS-1	GMSK	C	8.80kbps	17.60kbps	35.20kbps
MCS-2	GMSK	B	11.2kbps	22.4kbps	44.8kbps
MCS-3	GMSK	A	14.8kbps	29.6kbps	59.2kbps
MCS-4	GMSK	C	17.6kbps	35.2kbps	70.4kbps
MCS-5	8-PSK	B	22.4kbps	44.8kbps	89.6kbps
MCS-6	8-PSK	A	29.6kbps	59.2kbps	118.4kbps
MCS-7	8-PSK	B	44.8kbps	89.6kbps	179.2kbps
MCS-8	8-PSK	A	54.4kbps	108.8kbps	217.6kbps
MCS-9	8-PSK	A	59.2kbps	118.4kbps	236.8kbps